

---

## Object List

### Frequently Used

Link to Donor  
Donor Full Name  
Donor Last, First Name  
Donor Class Code  
Donor Classification  
List Donor As  
Donation Date  
Donation Year  
Donation Subsystem  
Donation Type Code  
Donation Type Description  
Donation/Pledge Amount  
Donation Paid Amount  
Donation Scheduled Amount  
Payment Amount  
Donated to Campaign  
Donated to Fund  
Donated to Appeal  
Donation Gift Code  
Donation Parent Gift Code  
Donation Gift Description  
Donation Gift Available Date  
Donation Gift Expiration Date  
Donor Recognition Level  
Donation Order Method  
Donor's Current Member Type  
Donors Current Chapter  
Link to Donation  
Donation Order No  
Donation Order Line No  
Donation Line Status Code  
Donor ID  
Donor Master ID  
Donor Sub ID  
Donor Record Type  
Membership or Fundraising Gift?  
Is this Donor a Foundation?  
Does this Donor Match Gifts?  
Fiscal Year Begin  
Fiscal Year End  
Twelve Month Period Begin Date  
Twelve Month Period End Date  
Twelve Month Period

Rate Structure

Rate Code

Alert Message

### Donation Info

Link to Donation

Donation Subsystem

Donation Date

Donation Amount

Donation Quantity

Original Order Number

Donation Year

Donation Month

Donation Gift Code

Donation Parent Gift Code

Donation Gift Description

Donation Gift Available Date

Donation Gift Expiration Date

Donation Type Code

Donation Order Method

Donation Currency Code

Donation Currency Symbol

### Pledge Information

Pledge Payment Frequency

Pledge Periods

Pledge Start Date

Pledge End Date

Installment Amount

### Pledge Payment Schedule Information

Payment Due Date

Percentage Due

Due amount

Payment Status Code

Payment Method Code

Process Date

Actual Due Amount

### Stock, Planned Giving, Other Donation

Planned Giving Plan Type Code

#### Information : Stock Gift

Stock Symbol

Stock Description

Stock Shares

Estimated Stock Value

Brokerage Firm

Brokerdage Contact Name

Brokerage Contact Phone

---

**Restricted Gift Info**

Is Gift Restricted?

Purpose of Restriction

Restriction Expiration Date

**Matching Gift Info****Matching Gift that Matched This Donation**

Is there a Matching Gift with this Donation?

Matching Gift Donation Type Code

Matching Gift Donation / Pledge Amount

Matching Gift Donation Paid Amount

Matching Gift Donation Scheduled Amount

Matching Gift Campaign

Matching Gift Fund

Matching Gift Appeal

Matching Gift Donation Code

Matching Gift Solicitor Team

Matching Gift Solicitor Full Name

Matching Gift Solicitor Last First Name

Matching Gift Solicitor First Name

Matching Gift SolicitorCustomer Last Name

Matching Gift Solicitor Search Name

Matching Gift Plan ID

Matching Gift Donor Full Name

Matching Gift Donor Last First Name

Matching Gift Donor First Name

Matching Gift Donor Last Name

Matching Gift Donor Search Name

Matching Gift Donor ID

Matching Gift Donor Master ID

Matching Gift Donor Sub ID

**Solicitor and Solicitor Teams**

Solicitor Team

Solicitor Full Name

Solicitor First Name

Solicitor Last Name

Solicitor Search Name

Solicitor Type

Solicitor Team Class Code

Team Begin Date

Team End Date

Solicitor ID

Solicitor Master ID

Solicitor Sub ID

Solicitor Begin Date

Solicitor End Date

Manager of Solicitor

---

**In Tribute To Info**

Donation Tribute Type  
In Tribute To Description  
In Tribute to Full Name  
In Tribute to First Name  
In Tribute to Last Name  
In Tribute to Search Name  
In Tribute ID  
In Tribute to Master ID  
In tribute to Sub ID  
In Tribute to Record Type

**Marketing Info**

Key Code  
List Code  
Market Code  
Number of people mailed to  
Number of responses

**Donation Soft Credit Recipient**

Soft Credit Recipient Full Name  
Soft Credit Recipient Last First Name  
Soft Credit Recipient First Name  
Soft Credit Recipient Last Name  
Soft Credit Recipient Search Name  
Soft Credit Recipient Record Type  
Soft Credit Donor ID  
Soft Credit Master ID  
Soft Credit Sub ID

**Donation GL Account Info**

Batch No  
Transaction Date  
Transaction Type  
Account  
Amount

**Donor / Prospect (Constituent) Info**

Link to Constituent  
Constituent Full Name  
Constituent First Name  
Constituent Last Name  
Constituent Search Name  
Constituent Record Type  
Constituent Class  
Constituent Status  
Constituent ID  
Constituent Master ID  
Constituent Sub ID

---

**Donor Matching Gift Info**

Donor Customer ID  
Donor Master Customer ID  
Donor Sub Customer ID  
Matching Gift Effective Date  
Matching Gift End Date  
Matching Gift Plan Type Code  
Per Gift Match up to Amount  
Per Gift Matching Percentage  
Plan Limit Amount  
Fund  
Appeal  
Campaign  
Acknowledgement Name  
Tribute Type Code  
In Tribute To Description  
In Tribute To Customer ID  
In Tribute To Master Customer ID  
In Tribute to Sub Customer ID  
Total Matched Donations Quantity  
Total Gift Matched Amount  
Total Donation Amount  
Plan Limit Reached Date

**Donor Credits and Recognition****Donor Credits**

Campaign  
Fund  
Appeal  
Solicitor Team  
Solicitor Full Name  
Credit Amount  
Credit Type Code  
Donor Name  
Credit Role Code  
Soft Credit Full Name  
Solicitor ID  
Solicitor Master ID  
Solicitor Sub ID  
Soft Credit Donor ID  
Soft Credit Donor Master ID  
Soft Credit Donor Sub ID

**Donor Recognition**

Donor Master Customer ID  
Donor Sub Customer ID  
Recognition Structure  
Recognition Structure Description

---

Donor Type  
Recognition Level  
Donation Amount  
Award Date  
Qualifying Months  
Lifetime Flag  
Minimum Amount  
Maximum Amount

### Donor Profile Demographics

Donor Class Code  
Donor Yearly Giving Estimate  
Donor Income Range  
Donor Income Source  
Donor Spouse Name  
Donor Spouse Birthday  
Donor Children Names  
Fund Matching Percentage  
Fund Matching Limit  
Yearly Matching Limit  
Is this Donor a Foundation?  
Does this Donor Match Gifts?

### List Demographics

List Demographic Code  
List Demographic Description  
List Demographic Subcode  
List Demographic Subcode Description  
List Demographic Begin Date  
List Demographic End Date  
List Demographic Number

### Donor Name, Address and Communication

Name  
Name Prefix  
First Name  
Middle Name  
Last Name  
Name Suffix  
Full Address  
Address Type Code  
Company Name  
Attention Line  
Personal Line  
Job Title  
Mail Stop  
Address 1  
Address 2  
Address 3

---

Address 4  
City  
State  
Postal Code  
Country Code  
Country Description  
Home Phone  
Work Phone  
Primary Phone  
Primary Fax  
Primary Email Address  
Primary URL  
Primary Phone Location Code  
Primary Email Location Code  
Primary Fax Location Code  
Preferred Communication Method

#### Donor Demographics

Donor Class Code  
Donor Status Code  
Ethnicity Code  
Gender Code  
Job Function  
Birth Date  
Age

#### Donor Current Membership Info

Donor Member Type  
Donor Membership Begin Date  
Donor Membership End Date  
Donor Membership Grace Date  
Donor Membership Description  
Donor Member Since Date  
Donor Chapter 1  
Donor Chapter 2  
Donor Section 1  
Donor Section 2

#### Donor Primary Employer Info

Employer Full Name  
Employer Last First Name  
Employer Search Name  
Employer Code  
Employment Reciprocal Code  
Employment Begin Date  
Employment End Date  
Is this full time Employment?  
Supervisor Name  
Employer Class Code

---

Record Type  
Primary Employer Matching Percentage  
Primary Employer Matching Limit  
Employer ID  
Employer Master ID  
Employer Sub ID  
Is this the Primary Employer?  
Is the Primary Employer a Foundation?  
Does the Primary Employer Match Donation?

#### Donor Corporate Relationship Info

Subsidiary Full Name  
Relationship Code  
Reciprocal Code  
Relationship Begin Date  
Relationship End Date  
Customer Class Code  
Record Type  
Subsidiary Matching Percentage  
Subsidiary Matching Limit  
Subsidiary Customer ID  
Subsidiary Master Customer ID  
Subsidiary Sub Customer ID  
Is the Subsidiary a Foundation?  
Does the Subsidiary Match Donation?

#### Donor All Relationships Info

Relation Full Name  
Relation Last First Name  
Relation Search Name  
Relationship Type  
Relationship Code  
Reciprocal Code  
Begin Date  
End Date  
Relation Class Code  
Related Record Type  
Related ID  
Related Master ID  
Related Sub ID

#### Donor / Prospect Contact

Donor Full Name  
Call Type Code  
Activity Date  
Call Topic Code  
Call Subject  
Staff User ID  
Person Contacted



---

Point of Contact Name  
Followup Date  
Followup Action Date  
Resolved Date  
Key Code  
Market Code  
List Code  
Point of Contact ID  
Point of Contact Master ID  
Point of Contact Sub ID  
Is this Resolved?

### Donor Proposals

Donor ID  
Donor Master ID  
Donor Sub ID  
Donor Full Name  
Proposal Description  
Proposal Status Code  
Campaign  
Fund  
Appeal  
Deadline Date  
Submission Date  
Review Date  
Decision Date  
Requested Amount  
Expected Amount  
Contact Person  
Contact Phone

### Estimated Giving

Actual Amount Donated  
Actual Total Amount Donated  
Campaign  
Fund  
Appeal  
Donation Code  
Donation Year  
Donation Percent Up  
Donation Percent Down  
Total Donation Estimate  
Currency of Donation

### Planned Giving

Donor ID  
Donor Master ID  
Donor Sub ID  
Donor Full Name

---

Plan Type Code  
Plan Status Code  
Plan Description  
Principal Amount  
Cost Basis  
Interest Rate  
Payout Rate  
Asset Type Code  
Payout Frequency Code  
Terms in Years  
First Payment Date  
Transfer Date  
Valuation Date  
Trustee  
Staff Assigned  
Beneficiary 1  
Beneficiary 2  
Campaign  
Fund  
Appeal  
Giving Status Code  
Giving Status Description  
Giving Class Code  
Giving Class Description

#### Miscellaneous Comments

Comment Type Code  
Comments  
Comment Creation Date  
Comment Creation User  
Comment Modification Date  
Comment Modification User

#### Giving Analysis

First Gift Amount  
First Gift Date  
First Gift Type  
First Gift Donor  
Last Gift Amount  
Last Gift Date  
Last Gift Type  
Last Gift Donor  
Largest Gift Amount  
Year To Date Amount  
Total to Date Amount  
Total Number of Gifts  
Total Orders  
Total Cash Donation Orders

---

Total Amount Committed  
Total Amount Received  
Total Balance Due  
Total Writeoff  
Total Pledge Orders  
Total Amount Pledged  
Total Pledge Receipts  
Total Pledge Writeoffs  
Total Pledge Balance

### Fund Raising Campaign Info

Campaign Code  
Campaign Description  
Campaign Class Code  
Campaign Begin Date  
Campaign End Date  
Campaign Goal Amount  
Campaign Linked Recognition Structure  
Parent Campaign  
Organization ID  
Organization Unit ID  
Is Campaign Active?  
Is this Campaign Date Restricted?

### Fund Raising Appeals Info

Appeal  
Appeal Description  
Appeal Classs Code  
Appeal Begin Date  
Appeal End Date  
Appeal Goal Amount  
Appeal Suggested Amount  
Tribute Type Code  
In Tribute To Description  
In Tribute to Full Name  
In Tribute to Primary Contact Full Name  
In Tribute to ID  
In Tribute to Master ID  
In Tribute to Sub ID  
In Tribute to Primary Contact ID  
In Tribute to Primary Contact Master ID  
In Tribute to Primary Contact Sub ID  
Is this Appeal Active?

### Fund Raising Fund Info

Fund  
Fund Description  
Fund Class Code  
Fund Begin Date

Fund End Date  
 Fund Goal Amount  
 In Tribute To Description  
 Tribute Type Code  
 In Tribute to Full Name  
 In Tribute to Primary Contact Full Name  
 In Tribute to Primary Contact ID  
 In Tribute to Primary Contact Master ID  
 In Tribute to Primary Contact Sub ID  
 In Tribute ID  
 In Tribute to Master ID  
 In Tribute to Sub ID  
 Is the Fund Active?

Conditions

## Object Properties

Class:	Frequently Used
Description:	

Object:	Link to Donor
Type:	Character
Description:	Use this object to open the selected Donor in Donor Central. You can only link the selected Donor to Donor Central when the report is viewed in view mode.
Select equivalent:	'<a href=cmd://Main/OpenView?Name=FND006_Constituent_Central&Key='+ORDER_MBR_FND_MTG_CUS_INFO_VW.BILL_MASTER_CUSTOMER_ID+' '+Convert(char, ORDER_MBR_FND_MTG_CUS_INFO_VW.BILL_SUB_CUSTOMER_ID)+ 'Target=_Blank>'+ORDER_MBR_FND_MTG_CUS_INFO_VW.BILL_MASTER_CUSTOMER_ID+'</a>'
Where equivalent:	
Qualification:	dimension

List of values: 2fn, editable, manual refresh, not exportable  
 Security access level: 0  
 Can be used: in result, in condition, in sort  
 Object status: show  
 Format

---

Object: Donor Full Name  
 Type: Character  
 Description: The Donor's Full Name from the order's bill-to customer, which includes the prefix, suffix, and credentials.

Select equivalent: ORDER\_MBR\_FND\_MTG\_CUS\_INFO\_VW.BILL\_LABEL\_NAME

Where equivalent:

Qualification: dimension  
 List of values: no  
 Security access level: 0  
 Can be used: in result, in condition, in sort  
 Object status: show

---

Object: Donor Last, First Name  
 Type: Character  
 Description: The Last, First Name for the order's bill-to customer.

Select equivalent: ORDER\_MBR\_FND\_MTG\_CUS\_INFO\_VW.BILL\_LAST\_FIRST\_NAME

Where equivalent:

Qualification: dimension  
 List of values: 28f, editable, manual refresh, not exportable  
 Security access level: 0  
 Can be used: in result, in condition, in sort  
 Object status: show

---

Object: Donor Class Code  
 Type: Character  
 Description: The Customer Class for the bill-to customer in the order

Select equivalent: ORDER\_MBR\_FND\_MTG\_CUS\_INFO\_VW.BILL\_CUSTOMER\_CLASS\_CODE

## Where equivalent:

Qualification: dimension  
 List of values: 1vd, editable, manual refresh, not exportable  
 Security access level: 0  
 Can be used: in result, in condition, in sort  
 Object status: show

---

Object: Donor Classification  
 Type: Character  
 Description: A classification given to the donor in terms of how they give; i.e. Individual, Corporate, Sponsor. This is not the Customer Class. See it in the Donor Central screen.

Select equivalent: FND\_CUSTOMER.DONOR\_CLASS\_CODE

## Where equivalent:

Qualification: dimension  
 List of values: 28k, editable, manual refresh, not exportable  
 Security access level: 0  
 Can be used: in result, in condition, in sort  
 Object status: show

---

Object: List Donor As  
 Type: Character  
 Description: This is the List Donor As or List As field from the Complex Donation and Simple Donation screens. It defaults from the Donor Maintenance screen, "Acknowledge Gifts As" field.

Select equivalent: ORDER\_FND\_DETAIL.LIST\_DONOR\_AS

## Where equivalent:

Qualification: dimension  
 List of values: 28j, editable, manual refresh, not exportable

---

Security access level: 0  
 Can be used: in result, in condition, in sort  
 Object status: show

---

Object: **Donation Date**  
 Type: Date  
 Description: The date that the order was entered into Personify.  
 Select equivalent: ORDER\_MBR\_FND\_MTG\_CUS\_INFO\_VW.ORDER\_DATE  
 Where equivalent:

Qualification: dimension  
 List of values: 28l, editable, manual refresh, not exportable  
 Security access level: 0  
 Can be used: in result, in condition, in sort  
 Object status: show

---

Object: **Donation Year**  
 Type: Number  
 Description: The year (YYYY) from the order date.  
 Select equivalent: year(ORDER\_MBR\_FND\_MTG\_CUS\_INFO\_VW.ORDER\_DATE)

Where equivalent:

Qualification: dimension  
 List of values: 2b6, editable, manual refresh, not exportable  
 Security access level: 0  
 Can be used: in result, in condition, in sort  
 Object status: show  
 Format  
 Number  
     Category = Number  
     0

---

Object: **Donation Subsystem**  
 Type: Character  
 Description: The subsystem of origin for the donation. It will be from the Fundraising, Meetings, or Membership subsystem.  
 Select equivalent: ORDER\_MBR\_FND\_MTG\_CUS\_INFO\_VW.SUBSYSTEM  
 Where equivalent:

Qualification: dimension  
 List of values: 2eq, editable, manual refresh, not exportable  
 Security access level: 0  
 Can be used: in result, in condition, in sort  
 Object status: show

---

Object: Donation Type Code  
 Type: Character  
 Description: The Product Type code for Fundraising products. They are CASH, PLEDGE ,ASSET, INKIND, MATCHING\_GIFT , PLANNED\_GIVING, STOCK.  
 Select equivalent: ORDER\_MBR\_FND\_MTG\_CUS\_INFO\_VW.PRODUCT\_TYPE\_CODE

Where equivalent:

Qualification: dimension  
 List of values: 1va, editable, manual refresh, not exportable  
 Security access level: 0  
 Can be used: in result, in condition, in sort  
 Object status: show

---

Object: Donation Type Description  
 Type: Character  
 Description: The text description of the Donation Type Code.  
 Select equivalent: APP\_CODE\_PRODUCT\_TYPE.DESCR  
 Where equivalent:

Qualification: dimension  
 List of values: 2fi, editable, manual refresh, not exportable  
 Security access level: 0  
 Can be used: in result, in condition, in sort  
 Object status: show

---

Object: Donation/Pledge Amount  
 Type: Number  
 Description: The Donation/Pledge total line Amount. It is the sum of the Sale and Adjustment transactions.

Select equivalent: isnull(sum(FAR\_TXN.BASE\_AMOUNT),0)

---



---

Where equivalent: FAR\_TXN.TXN\_TYPE\_CODE IN ('4','6')

Qualification: measure

Aggregate function: Sum

List of values: no

Security access level: 0

Can be used: in result, in condition, in sort

Object status: show

Format Number  
                   Category = Currency  
                   \$#,##0.00

---

Object: Donation Paid Amount

Type: Number

Description: The net Donation Paid Amount. It is the sum of Receipts, Refunds and Receipt Transfers.

Select equivalent: Sum(FAR\_TXN\_PAID\_AMOUNT.BASE\_AMOUNT)

Where equivalent: FAR\_TXN\_PAID\_AMOUNT.TXN\_TYPE\_CODE IN ('1','2','3')

Qualification: measure

Aggregate function: Sum

List of values: no

Security access level: 0

Can be used: in result, in condition, in sort

Object status: show

Format Number  
                   Category = Currency  
                   \$#,##0.00

---

Object: Donation Scheduled Amount

Type: Number

Description: The total of the Amounts of each schedule line for the pledge.

Select equivalent: isnull(SUM(FAR\_TXN\_SCHEDULED\_AMOUNT.BASE\_AMOUNT),0)\*-1

Where equivalent: FAR\_TXN\_SCHEDULED\_AMOUNT.TXN\_TYPE\_CODE IN ('9')

Qualification: measure

Aggregate function: Sum

List of values: no

Security access level: 0

Can be used: in result, in condition, in sort

Object status: show

---

---

Format	Number Category = Currency \$#,##0.00
--------	---

---

Object:	<b>Payment Amount</b>
Type:	Number
Description:	This is the payment amount.
Select equivalent:	SUM(FAR_TXN.PAYMENT_AMOUNT)
Where equivalent:	
Qualification:	measure
Aggregate function:	None
List of values:	no
Security access level:	0
Can be used:	in result, in condition, in sort
Object status:	show
Format	Number Category = Currency \$#,##0;\$-#,##0[Red]

---

Object:	<b>Donated to Campaign</b>
Type:	Character
Description:	The donation was linked to this campaign and will be counted towards its goal.
Select equivalent:	ORDER_MBR_FND_MTG_CUS_INFO_VW.CAMPAIGN
Where equivalent:	
Qualification:	dimension
List of values:	1v5, editable, manual refresh, not exportable
Security access level:	0
Can be used:	in result, in condition, in sort
Object status:	show

---

Object:	<b>Donated to Fund</b>
Type:	Character
Description:	The donation was linked to this fund and will be counted towards its goal.

---

Select equivalent: ORDER\_MBR\_FND\_MTG\_CUS\_INFO\_VW.FUND

Where equivalent:

Qualification: dimension  
 List of values: 1v6, editable, manual refresh, not exportable  
 Security access level: 0  
 Can be used: in result, in condition, in sort  
 Object status: show

---

Object: Donated to Appeal  
 Type: Character  
 Description: The donation was linked to this appeal and will be counted towards its goal.

Select equivalent: ORDER\_MBR\_FND\_MTG\_CUS\_INFO\_VW.APPEAL

Where equivalent:

Qualification: dimension  
 List of values: 1v7, editable, manual refresh, not exportable  
 Security access level: 0  
 Can be used: in result, in condition, in sort  
 Object status: show

---

Object: Donation Gift Code  
 Type: Character  
 Description: The product code that was selected for the donation.

Select equivalent: ORDER\_MBR\_FND\_MTG\_CUS\_INFO\_VW.PRODUCT\_CODE

Where equivalent:

Qualification: dimension  
 List of values: 1v8, editable, manual refresh, not exportable  
 Security access level: 0  
 Can be used: in result, in condition, in sort  
 Object status: show

---

Object: Donation Parent Gift Code  
 Type: Character  
 Description: The parent product code f

or the product code that was selected for the donation.  
 Select equivalent: ORDER\_MBR\_FND\_MTG\_CUS\_INFO\_VW.PARENT\_PRODUCT  
 Where equivalent:

Qualification: dimension  
 List of values: 2e9, editable, manual refresh, not exportable  
 Security access level: 0  
 Can be used: in result, in condition, in sort  
 Object status: show

---

Object: Donation Gift Description  
 Type: Character  
 Description: The invoice description for the product code of the donation.  
 Select equivalent: ORDER\_MBR\_FND\_MTG\_CUS\_INFO\_VW.PRODUCT\_LONG\_NAME  
 Where equivalent:

Qualification: dimension  
 List of values: 2e6, editable, manual refresh, not exportable  
 Security access level: 0  
 Can be used: in result, in condition, in sort  
 Object status: show

---

Object: Donation Gift Available Date  
 Type: Date  
 Description: The date that the product used for the donation was ready for use in the system.  
 Select equivalent: PRODUCT.AVAILABLE\_DATE  
 Where equivalent:

Qualification: dimension  
 List of values: 2f1, editable, manual refresh, not exportable  
 Security access level: 0  
 Can be used: in result, in condition, in sort  
 Object status: show

---

Object: Donation Gift Expiration Date  
 Type: Date  
 Description: The date that the product used for the donation was

deactivated for use in the system.  
 Select equivalent: PRODUCT.EXPIRATION\_DATE  
 Where equivalent:

Qualification: dimension  
 List of values: 2f2, editable, manual refresh, not exportable  
 Security access level: 0  
 Can be used: in result, in condition, in sort  
 Object status: show

---

Object: Donor Recognition Level  
 Type: Character  
 Description: This is the Donor Recognition Level code assigned according to the Recognition Level giving amount chart setup for a Campaign or a ll Campaigns.

Select equivalent: FND\_CUSTOMER\_RECOGNITION.RECOGNITION\_LEVEL\_CODE  
 Where equivalent:

Qualification: dimension  
 List of values: 28g, editable, manual refresh, not exportable  
 Security access level: 0  
 Can be used: in result, in condition, in sort  
 Object status: show

---

Object: Donation Order Method  
 Type: Character  
 Description: The media for how the donation came to the organization. Typically the codes are Email, Fax, Mail or Web.

Select equivalent: ORDER\_MBR\_FND\_MTG\_CUS\_INFO\_VW.ORDER\_METHOD\_CODE  
 Where equivalent:

Qualification: dimension  
 List of values: 2b2, editable, manual refresh, not exportable  
 Security access level: 0  
 Can be used: in result, in condition, in sort

Object status: show

---

Object: Donor's Current Member Type

Type: Character

Description: The Type is based on the donor's current national membership. It is directly defined in the membership product's Level2 code.

Select equivalent: CUS\_CURRENT\_MEMBERSHIP\_INFO.NATIONAL\_LEVEL2

Where equivalent:

Qualification: dimension

List of values: 28h, editable, manual refresh, not exportable

Security access level: 0

Can be used: in result, in condition, in sort

Object status: show

---

Object: Donors Current Chapter

Type: Character

Description: A person will be a current member in this first chapter of many. This is the description from that chapter product.

Select equivalent: CUS\_CURRENT\_MEMBERSHIP\_INFO.CHAPTER\_DESCR

Where equivalent:

Qualification: dimension

List of values: 28i, editable, manual refresh, not exportable

Security access level: 0

Can be used: in result, in condition, in sort

Object status: show

---

Object: Link to Donation

Type: Character

Description: Use this object to open the selected Donation in Order Entry. You can only link the selected Donation to Order Entry when the rep

ort is viewed in view mode

.

DO NOT USE THIS IN A REPORT

Select equivalent: '[ORDER\\_MBR\\_FND\\_MTG\\_CUS\\_I  
NFO\\_VW.ORDER\\_NO+ ' Targ  
et=\\_Blank>'+rtrim\(Convert  
\(char,ORDER\\_MBR\\_FND\\_MTG\\_  
CUS\\_INFO\\_VW.ORDER\\_NO\)\) +  
'-' + rtrim\(Convert\(char,  
ORDER\\_MBR\\_FND\\_MTG\\_CUS\\_I  
NFO\\_VW.ORDER\\_LINE\\_NO\)\)+'  
</a>'](cmd://Main/OpenView?Name=ORD001&Key='+<br/)

Where equivalent:

Qualification: dimension  
List of values: 2ix, editable, manual refresh, not exportable  
Security access level: 0  
Can be used: in result, in condition, in sort  
Object status: show  
Format

---

Object: **Donation Order No**  
Type: Character  
Description: The Donation Order Number  
found in table ORDER\_DET  
AIL through view ORDER\_M  
BR\_FND\_MTG\_CUS\_INFO\_VW.

Select equivalent: ORDER\_MBR\_FND\_MTG\_CUS\_INFO\_VW.ORDER\_NO  
Where equivalent:

Qualification: dimension  
List of values: 28p, editable, manual refresh, not exportable  
Security access level: 0  
Can be used: in result, in condition, in sort  
Object status: show

---

Object: **Donation Order Line No**  
Type: Number  
Description: The Donation Order Line N  
o found in table ORDER\_DE  
TAIL through view ORDER\_  
MBR\_FND\_MTG\_CUS\_INFO\_VW

Select equivalent: ORDER\_MBR\_FND\_MTG\_CUS\_INFO\_VW.ORDER\_LINE\_NO  
Where equivalent:

Qualification: dimension  
List of values: 28q, editable, manual refresh, not exportable  
Security access level: 0  
Can be used: in result, in condition, in sort  
Object status: show

---

Object: Donation Line Status Code  
Type: Character  
Description: The Line Status found in table ORDER\_DETAIL through view ORDER\_MBR\_FND\_MTG\_CUS\_INFO\_VW. Values can be ACTIVE, CANCELLED or PROFORMA.  
Select equivalent: ORDER\_MBR\_FND\_MTG\_CUS\_INFO\_VW.LINE\_STATUS\_CODE  
Where equivalent:

Qualification: dimension  
List of values: 2f3, editable, manual refresh, not exportable  
Security access level: 0  
Can be used: in result, in condition, in sort  
Object status: show

---

Object: Donor ID  
Type: Character  
Description: The Bill-to Customer ID if the Bill-to Sub ID is 0. If the Sub ID is "1" or greater then this will be the Bill-to Customer ID + Sub ID; i.e.; 000005786434-1.

Select equivalent: ORDER\_MBR\_FND\_MTG\_CUS\_INFO\_VW.Bill\_CusMastSubID  
Where equivalent:

Qualification: dimension  
List of values: 28t, editable, manual refresh, not exportable  
Security access level: 0  
Can be used: in result, in condition, in sort



Object status: show

---

Object: Donor Master ID  
 Type: Character  
 Description: The Bill-to Customer Id of the donation order.

Select equivalent: ORDER\_MBR\_FND\_MTG\_CUS\_I  
 NFO\_VW.BILL\_MASTER\_CUST  
 OMER\_ID

Where equivalent:

Qualification: dimension  
 List of values: 28u, editable, manual refresh, not exportable  
 Security access level: 0  
 Can be used: in result, in condition, in sort  
 Object status: show

---

Object: Donor Sub ID  
 Type: Number  
 Description: The Bill-to Sub Id of the donation order.

Select equivalent: ORDER\_MBR\_FND\_MTG\_CUS\_INFO\_VW.BILL\_SUB\_CUSTOMER\_ID

Where equivalent:

Qualification: dimension  
 List of values: 28v, editable, manual refresh, not exportable  
 Security access level: 0  
 Can be used: in result, in condition, in sort  
 Object status: show

---

Object: Donor Record Type  
 Type: Character  
 Description: The Donor's customer RECO  
 RD\_TYPE. Values are I(in  
 dividual), C(company), S(s  
 ubgroup) and T(committee)  
 .

Select equivalent: ORDER\_MBR\_FND\_MTG\_CUS\_I  
 NFO\_VW.BILL\_CUSTOMER\_RE  
 CORD\_TYPE

---

Where equivalent:

Qualification: dimension  
 List of values: 1vc, editable, manual refresh, not exportable  
 Security access level: 0  
 Can be used: in result, in condition, in sort  
 Object status: show

---

Object: Membership or Fundraising Gift?

Type: Character

Description: Flag to identify whether o  
 rder's product is from the  
 Membership or Fundraisin  
 g subsystem. The values  
 will be either 'Membershi  
 p' or 'Fundraising'.

Select equivalent: case when ORDER\_MBR\_FND\_  
 MTG\_CUS\_INFO\_VW.SUBSYST  
 EM = 'MBR' THEN 'Members  
 hip' ELSE 'Fundraising' en  
 d

Where equivalent:

Qualification: dimension  
 List of values: 28o, editable, manual refresh, not exportable  
 Security access level: 0  
 Can be used: in result, in condition, in sort  
 Object status: show

---

Object: Is this Donor a Foundation?

Type: Character

Description: Flag to identify Donor a F  
 oundation. This is found  
 on the FND160 Donor/Pros  
 pect screen on the Confide  
 ntial Info tab.

Select equivalent: FND\_CUSTOMER.FOUNDATION\_FLAG

Where equivalent:

Qualification: dimension

List of values: 28r, editable, manual refresh, not exportable  
 Security access level: 0  
 Can be used: in result, in condition, in sort  
 Object status: show

---

Object: Does this Donor Match Gifts?  
 Type: Character  
 Description: Flag to identify if the Donor matches gifts of employees. This is found on the FND160 Donor/Prospect screen in the top section.  
 Select equivalent: FND\_CUSTOMER.FND\_MATCHING\_FLAG

Where equivalent:

Qualification: dimension  
 List of values: 28s, editable, manual refresh, not exportable  
 Security access level: 0  
 Can be used: in result, in condition, in sort  
 Object status: show

---

Object: Fiscal Year Begin  
 Type: Date  
 Description: The fiscal year begin date for the logged in users organization id. This is derived from the Organization Fiscal Year End month using the current year.  
 Select equivalent: FICAL\_YEAR\_ORGANIZATION.FISCAL\_YEAR\_BEGIN  
 Where equivalent:

Qualification: dimension  
 List of values: 2es, editable, manual refresh, not exportable  
 Security access level: 0  
 Can be used: in result, in condition, in sort  
 Object status: show

---

Object: Fiscal Year End  
 Type: Date  
 Description: The fiscal year end for the logged in users organization

tion id. This is derived from the Organization Fiscal Year End month using the current year.

Select equivalent: FICAL\_YEAR\_ORGANIZATION.FISCAL\_YEAR\_END  
Where equivalent:

Qualification: dimension  
List of values: 2et, editable, manual refresh, not exportable  
Security access level: 0  
Can be used: in result, in condition, in sort  
Object status: show

---

Object: Twelve Month Period Begin Date  
Type: Date  
Description: Use the system date (today) month and year and the first of this month.

Select equivalent: FICAL\_YEAR\_ORGANIZATION.TWELVE\_MONTH\_PERIOD\_BEGIN\_DATE  
Where equivalent:

Qualification: dimension  
List of values: 2fd, editable, manual refresh, not exportable  
Security access level: 0  
Can be used: in result, in condition, in sort  
Object status: show

---

Object: Twelve Month Period End Date  
Type: Date  
Description: Use the system date (today) month and year and the n minus one month, next year.

Select equivalent: FICAL\_YEAR\_ORGANIZATION.TWELVE\_MONTH\_PERIOD\_END\_DATE  
Where equivalent:

Qualification: dimension  
List of values: 2fe, editable, manual refresh, not exportable  
Security access level: 0  
Can be used: in result, in condition, in sort  
Object status: show

---

---

**Object:** Twelve Month Period  
**Type:** Date  
**Description:** The twelve month period o  
 bject is exclusively used  
 in Dashboard calculations  
 which returns the date tha  
 t is twelve months prior t  
 o the current date  
**Select equivalent:** TWELVE\_MONTH\_PERIOD.TWELVE\_MONTH\_PERIOD  
**Where equivalent:**

**Qualification:** dimension  
**List of values:** 2fm, editable, manual refresh, not exportable  
**Security access level:** 0  
**Can be used:** in result, in condition, in sort  
**Object status:** show

---

**Object:** Rate Structure  
**Type:** Character  
**Description:** The donation Order Detail RATE\_STRUCTURE used for pricing.  
**Select equivalent:** ORDER\_MBR\_FND\_MTG\_CUS\_INFO\_VW.RATE\_STRUCTURE  
**Where equivalent:**

**Qualification:** dimension  
**List of values:** 2ev, editable, manual refresh, not exportable  
**Security access level:** 0  
**Can be used:** in result, in condition, in sort  
**Object status:** show

---

**Object:** Rate Code  
**Type:** Character  
**Description:** The donation Order Detail RATE\_CODE used for pricing.  
**Select equivalent:** ORDER\_MBR\_FND\_MTG\_CUS\_INFO\_VW.RATE\_CODE  
**Where equivalent:**

**Qualification:** dimension  
**List of values:** 2eu, editable, manual refresh, not exportable  
**Security access level:** 0  
**Can be used:** in result, in condition, in sort  
**Object status:** show

---

**Object:** Alert Message

---

Type: Character  
 Description: Text entered by staff that describe something urgent that needs to be made visible to all users when they open the constituent's record.  
 Select equivalent: CUS\_ALERT.ALERT\_MESSAGE  
 Where equivalent:  
 Qualification: dimension  
 List of values: 2jt, editable, manual refresh, not exportable  
 Security access level: 0  
 Can be used: in result, in condition, in sort  
 Object status: show

Class:	Donation Info
Description:	

Object: Link to Donation  
 Type: Character  
 Description: Use this object to open the selected Donation in Order Entry. You can only link the selected Donation to Order Entry when the report is viewed in view mode.  
 .  
 NOT FOR USE IN A REPORT  
 Select equivalent: '<a href=cmd://Main/OpenView?Name=ORD001&Key='+  
 ORDER\_MBR\_FND\_MTG\_CUS\_I  
 NFO\_VW.ORDER\_NO+ ' Target=  
 et=\_Blank>'+rtrim(Convert  
 (char,ORDER\_MBR\_FND\_MTG\_  
 CUS\_INFO\_VW.ORDER\_NO)) +  
 '-' + rtrim(Convert(char,  
 ORDER\_MBR\_FND\_MTG\_CUS\_I  
 NFO\_VW.ORDER\_LINE\_NO))+'  
 </a>'  
 Where equivalent:  
 Qualification: dimension  
 List of values: 2iy, editable, manual refresh, not exportable  
 Security access level: 0  
 Can be used: in result, in condition, in sort

Object status: show  
Format

---

Object: Donation Subsystem  
Type: Character  
Description: The subsystem of origin for the donation. It will be FND, MBR or MTG.  
Select equivalent: ORDER\_MBR\_FND\_MTG\_CUS\_INFO\_VW.SUBSYSTEM  
Where equivalent:

Qualification: dimension  
List of values: 2ep, editable, manual refresh, not exportable  
Security access level: 0  
Can be used: in result, in condition, in sort  
Object status: show

---

Object: Donation Date  
Type: Date  
Description: The Order Date for the donation line.  
Select equivalent: ORDER\_MBR\_FND\_MTG\_CUS\_INFO\_VW.ORDER\_DATE  
Where equivalent:

Qualification: dimension  
List of values: 2dy, editable, manual refresh, not exportable  
Security access level: 0  
Can be used: in result, in condition, in sort  
Object status: show

---

Object: Donation Amount  
Type: Number  
Description: The net amount of the order line that includes quantity, adjustments and discounts.  
Select equivalent: sum(ORDER\_MBR\_FND\_MTG\_CUS\_INFO\_VW.BASE\_TOTAL\_AMOUNT)  
Where equivalent:

Qualification: measure  
Aggregate function: Sum  
List of values: no

Security access level: 0  
 Can be used: in result, in condition, in sort  
 Object status: show  
 Format: Number  
     Category = Number  
     0.00;0.00

---

Object: Donation Quantity  
 Type: Number  
 Description: The quantity from the order line.  
 Select equivalent: ORDER\_MBR\_FND\_MTG\_CUS\_INFO\_VW.ORDER\_QTY  
 Where equivalent:

Qualification: measure  
 Aggregate function: Sum  
 List of values: 2er, editable, manual refresh, not exportable  
 Security access level: 0  
 Can be used: in result, in condition, in sort  
 Object status: show

---

Object: Original Order Number  
 Type: Character  
 Description: This is not used in Fundraising.  
 Select equivalent: ORDER\_DETAIL\_ORIGINAL\_ORDER\_NO.ORIGINAL\_ORDER\_NO  
 Where equivalent:

Qualification: dimension  
 List of values: 2ed, editable, manual refresh, not exportable  
 Security access level: 0  
 Can be used: in result, in condition, in sort  
 Object status: show

---

Object: Donation Year  
 Type: Number  
 Description: The Donation Year (YYYY) derived from the date of the order.  
 Select equivalent: year(ORDER\_MBR\_FND\_MTG\_CUS\_INFO\_VW.ORDER\_DATE)

Where equivalent:

Qualification: dimension  
 List of values: 2e0, editable, manual refresh, not exportable  
 Security access level: 0

---



Can be used: in result, in condition, in sort  
 Object status: show  
 Format Number  
 Category = Number  
 0

---

Object: Donation Month  
 Type: Number  
 Description: The month (MM) derived from the order date.  
 Select equivalent: month(ORDER\_MBR\_FND\_MTG\_CUS\_INFO\_VW.ORDER\_DATE)  
 Where equivalent:

Qualification: dimension  
 List of values: 2ee, editable, manual refresh, not exportable  
 Security access level: 0  
 Can be used: in result, in condition, in sort  
 Object status: show

---

Object: Donation Gift Code  
 Type: Character  
 Description: This is the Donation Gift Product Code  
 Select equivalent: ORDER\_MBR\_FND\_MTG\_CUS\_INFO\_VW.PRODUCT\_CODE  
 Where equivalent:

Qualification: dimension  
 List of values: 2ea, editable, manual refresh, not exportable  
 Security access level: 0  
 Can be used: in result, in condition, in sort  
 Object status: show

---

Object: Donation Parent Gift Code  
 Type: Character  
 Description: This is the donation parent product code.  
 Select equivalent: ORDER\_MBR\_FND\_MTG\_CUS\_INFO\_VW.PARENT\_PRODUCT  
 Where equivalent:

Qualification: dimension  
 List of values: 2eb, editable, manual refresh, not exportable  
 Security access level: 0  
 Can be used: in result, in condition, in sort  
 Object status: show

---

---

**Object:** Donation Gift Description  
**Type:** Character  
**Description:** This is the Donation gift description from the Invoice Description of the product.  
**Select equivalent:** ORDER\_MBR\_FND\_MTG\_CUS\_INFO\_VW.PRODUCT\_LONG\_NAME  
**Where equivalent:**

**Qualification:** dimension  
**List of values:** 2e8, editable, manual refresh, not exportable  
**Security access level:** 0  
**Can be used:** in result, in condition, in sort  
**Object status:** show

---

**Object:** Donation Gift Available Date  
**Type:** Date  
**Description:** This the first date that this gift code can be used in an order.  
**Select equivalent:** PRODUCT.AVAILABLE\_DATE  
**Where equivalent:**

**Qualification:** dimension  
**List of values:** 2ey, editable, manual refresh, not exportable  
**Security access level:** 0  
**Can be used:** in result, in condition, in sort  
**Object status:** show

---

**Object:** Donation Gift Expiration Date  
**Type:** Date  
**Description:** This is the last date that a gift code can be used.  
**Select equivalent:** PRODUCT.EXPIRATION\_DATE  
**Where equivalent:**

**Qualification:** dimension  
**List of values:** 2f0, editable, manual refresh, not exportable  
**Security access level:** 0  
**Can be used:** in result, in condition, in sort  
**Object status:** show

---

**Object:** Donation Type Code  
**Type:** Character

---

Description: One of 8 Donation Type Codes: Cash, Pledge, Stocks, In-kind, Memo, Matching gift, Asset, Planned Giving.

Select equivalent: ORDER\_MBR\_FND\_MTG\_CUS\_INFO\_VW.PRODUCT\_TYPE\_CODE

Where equivalent:

Qualification: dimension  
 List of values: 2e1, editable, manual refresh, not exportable  
 Security access level: 0  
 Can be used: in result, in condition, in sort  
 Object status: show

---

Object: Donation Order Method  
 Type: Character  
 Description: The method by which the donation was received: fax, mail, email, web.

Select equivalent: ORDER\_MBR\_FND\_MTG\_CUS\_INFO\_VW.ORDER\_METHOD\_CODE

Where equivalent:

Qualification: dimension  
 List of values: 2e3, editable, manual refresh, not exportable  
 Security access level: 0  
 Can be used: in result, in condition, in sort  
 Object status: show

---

Object: Donation Currency Code  
 Type: Character  
 Description: The currency in which the donation was received; i.e. "USD".

Select equivalent: APP\_ORGANIZATION.CURRENCY\_CODE

Where equivalent:

Qualification: dimension  
 List of values: 2f6, editable, manual refresh, not exportable  
 Security access level: 0  
 Can be used: in result, in condition, in sort  
 Object status: show

---

Object: Donation Currency Symbol

Type: Character  
 Description: The symbol "\$" for the currency used to create the order.  
 Select equivalent: APP\_CURRENCY.CURRENCY\_SYMBOL  
 Where equivalent:

Qualification: dimension  
 List of values: 2f5, editable, manual refresh, not exportable  
 Security access level: 0  
 Can be used: in result, in condition, in sort  
 Object status: show

Class:	<b>Pledge Information</b>
Description:	

Object: **Pledge Payment Frequency**  
 Type: Character  
 Description: The Pledge Payment code t  
 o define the duration of t  
 he payment plan: monthly,  
 quarterly, annually.

Select equivalent: ORDER\_FND\_DETAIL.PLEDGE\_PAYMENT\_FREQUENCY\_CODE

Where equivalent:

Qualification: dimension  
 List of values: 1yn, editable, manual refresh, not exportable  
 Security access level: 0  
 Can be used: in result, in condition, in sort  
 Object status: show

---

Object: **Pledge Periods**  
 Type: Number  
 Description: The number of months in t  
 he duration of the schedul  
 ed payments for the pledg  
 e.

Select equivalent: ORDER\_FND\_DETAIL.PLEDGE\_PERIODS

Where equivalent:

Qualification: dimension  
 List of values: 1yo, editable, manual refresh, not exportable

---

Security access level: 0  
Can be used: in result, in condition, in sort  
Object status: show

---

Object: **Pledge Start Date**  
Type: Date  
Description: The first scheduled payment date of a pledge.

Select equivalent: ORDER\_FND\_DETAIL.PLEDGE\_START\_DATE

Where equivalent:

Qualification: dimension  
List of values: 1yp, editable, manual refresh, not exportable  
Security access level: 0  
Can be used: in result, in condition, in sort  
Object status: show

---

Object: **Pledge End Date**  
Type: Date  
Description: The last scheduled payment date of a pledge.

Select equivalent: ORDER\_FND\_DETAIL.PLEDGE\_END\_DATE

Where equivalent:

Qualification: dimension  
List of values: 1yq, editable, manual refresh, not exportable  
Security access level: 0  
Can be used: in result, in condition, in sort  
Object status: show

---

Object: **Installment Amount**  
Type: Number  
Description: The whole amount of the pledge.

Select equivalent: ORDER\_FND\_DETAIL.INSTALLMENT\_AMOUNT

Where equivalent:

Qualification: dimension  
List of values: 1yr, editable, manual refresh, not exportable  
Security access level: 0

---

Can be used: in result, in condition, in sort  
 Object status: show

Class:	Pledge Payment Schedule Information
Description:	

Object: Payment Due Date  
 Type: Date  
 Description: The Due Date for each scheduled payment.

Select equivalent: ORDER\_PAYMENT\_SCHEDULE.DUE\_DATE

Where equivalent:

Qualification: dimension  
 List of values: 22c, editable, manual refresh, not exportable  
 Security access level: 0  
 Can be used: in result, in condition, in sort  
 Object status: show

---

Object: Percentage Due  
 Type: Number  
 Description: The Percentage Due for each scheduled payment.

Select equivalent: ORDER\_PAYMENT\_SCHEDULE.PERCENTAGE\_DUE

Where equivalent:

Qualification: dimension  
 List of values: 22d, editable, manual refresh, not exportable  
 Security access level: 0  
 Can be used: in result, in condition, in sort  
 Object status: show

---

Object: Due amount  
 Type: Number  
 Description: The Due amount for each scheduled payment.

Select equivalent: ORDER\_PAYMENT\_SCHEDULE.DUE\_AMOUNT

Where equivalent:

Qualification: dimension

List of values: 22e, editable, manual refresh, not exportable  
 Security access level: 0  
 Can be used: in result, in condition, in sort  
 Object status: show

---

Object: **Payment Status Code**  
 Type: Character  
 Description: The Payment Status Code f  
 or the scheduled payment  
 of Paid or Pending.

Select equivalent: ORDER\_PAYMENT\_SCHEDULE.PAYMENT\_STATUS\_CODE

Where equivalent:

Qualification: dimension  
 List of values: 22f, editable, manual refresh, not exportable  
 Security access level: 0  
 Can be used: in result, in condition, in sort  
 Object status: show

---

Object: **Payment Method Code**  
 Type: Character  
 Description: The Payment Method Code f  
 or vehicle for payment of  
 the scheduled amount:NONE  
 , CC (credit card), ORD001  
 order screen, MANUAL, DD  
 (direct debit).

Select equivalent: ORDER\_PAYMENT\_SCHEDULE.PROCESS\_METHOD\_CODE

Where equivalent:

Qualification: dimension  
 List of values: 22g, editable, manual refresh, not exportable  
 Security access level: 0  
 Can be used: in result, in condition, in sort  
 Object status: show

---

Object: **Process Date**  
 Type: Date  
 Description: The Process Date for this scheduled amount.

Select equivalent: ORDER\_PAYMENT\_SCHEDULE.PROCESS\_DATE

Where equivalent:

Qualification: dimension  
 List of values: 22h, editable, manual refresh, not exportable  
 Security access level: 0  
 Can be used: in result, in condition, in sort  
 Object status: show

---

Object: Actual Due Amount  
 Type: Number  
 Description: The amount due today according to the payment schedule. The sum of schedule lines due today minus payments.

Select equivalent: ORDER\_PAYMENT\_SCHEDULE.ACTUAL\_DUE\_AMOUNT

Where equivalent:

Qualification: dimension  
 List of values: 22i, editable, manual refresh, not exportable  
 Security access level: 0  
 Can be used: in result, in condition, in sort  
 Object status: show

Class:	Stock, Planned Giving, Other Donation
Description:	

Object: Planned Giving Plan Type Code  
 Type: Character  
 Description: The Planned Giving Plan Type Code that was used to when recording the donation.

Select equivalent: ORDER\_FND\_DETAIL.PLAN\_TYPE\_CODE

Where equivalent:

Qualification: dimension



List of values: 1ye, editable, manual refresh, not exportable  
 Security access level: 0  
 Can be used: in result, in condition, in sort  
 Object status: show

Class:	Information : Stock Gift
Description:	

Object: **Stock Symbol**  
 Type: Character  
 Description: The Stock Symbol entered in the Stock Donation.

Select equivalent: ORDER\_FND\_DETAIL.STOCK\_SYMBOL

Where equivalent:

Qualification: dimension  
 List of values: 1yg, editable, manual refresh, not exportable  
 Security access level: 0  
 Can be used: in result, in condition, in sort  
 Object status: show

---

Object: **Stock Description**  
 Type: Character  
 Description: The Stock Description for the Stock Symbol as the name of the company.

Select equivalent: ORDER\_FND\_DETAIL.STOCK\_DESCRIPTION

Where equivalent:

Qualification: dimension  
 List of values: 1yh, editable, manual refresh, not exportable  
 Security access level: 0  
 Can be used: in result, in condition, in sort  
 Object status: show

---

Object: **Stock Shares**  
 Type: Number  
 Description: The number of Stock Shares in the donation order.

Select equivalent: ORDER\_FND\_DETAIL.STOCK\_SHARES

Where equivalent:

Qualification: dimension  
 List of values: 1yi, editable, manual refresh, not exportable  
 Security access level: 0  
 Can be used: in result, in condition, in sort  
 Object status: show

---

Object: **Estimated Stock Value**  
 Type: Number  
 Description: The Estimated Stock Value of the total shares in the order.

Select equivalent: ORDER\_FND\_DETAIL.ESTIMATED\_VALUE

Where equivalent:

Qualification: dimension  
 List of values: 1yj, editable, manual refresh, not exportable  
 Security access level: 0  
 Can be used: in result, in condition, in sort  
 Object status: show

---

Object: **Brokerage Firm**  
 Type: Character  
 Description: The Brokerage Firm used to trade the stock in the donation order.

Select equivalent: ORDER\_FND\_DETAIL.BROKERAGE\_FIRM

Where equivalent:

Qualification: dimension  
 List of values: 1yk, editable, manual refresh, not exportable  
 Security access level: 0  
 Can be used: in result, in condition, in sort  
 Object status: show

---

Object: **Brokerdage Contact Name**  
 Type: Character  
 Description: The Brokerdage Contact Name for the stock trade in this order.

Select equivalent: ORDER\_FND\_DETAIL.BROKERAGE\_CONTACT\_NAME

Where equivalent:

Qualification: dimension  
 List of values: 1yl, editable, manual refresh, not exportable  
 Security access level: 0  
 Can be used: in result, in condition, in sort  
 Object status: show

---

Object: Brokerage Contact Phone  
 Type: Character  
 Description: The Brokerage contact's phone number for the brokerage firm used in this order.

Select equivalent: ORDER\_FND\_DETAIL.BROKERAGE\_CONTACT\_PHONE

Where equivalent:

Qualification: dimension  
 List of values: 1ym, editable, manual refresh, not exportable  
 Security access level: 0  
 Can be used: in result, in condition, in sort  
 Object status: show

Class:	Restricted Gift Info
Description:	

Object: Is Gift Restricted?  
 Type: Character  
 Description: Flag to identify if the Gift is Restricted

Select equivalent: ORDER\_FND\_DETAIL.RESTRICTED\_GIFT\_FLAG

Where equivalent:

Qualification: dimension  
 List of values: 28w, editable, manual refresh, not exportable  
 Security access level: 0  
 Can be used: in result, in condition, in sort  
 Object status: show

---

Object: Purpose of Restriction

Type: Character  
 Description: The Purpose of Restriction as decribed in free text.  
 Select equivalent: ORDER\_FND\_DETAIL.RESTRICTION\_PURPOSE  
 Where equivalent:  
 Qualification: dimension  
 List of values: 28x, editable, manual refresh, not exportable  
 Security access level: 0  
 Can be used: in result, in condition, in sort  
 Object status: show

---

Object: Restriction Expiration Date  
 Type: Date  
 Description: Its the Restriction Expiration Date where the money should be recognized as revenue.  
 Select equivalent: ORDER\_FND\_DETAIL.RESTRICTION\_EXPIRATION\_DATE  
 Where equivalent:  
 Qualification: dimension  
 List of values: 28y, editable, manual refresh, not exportable  
 Security access level: 0  
 Can be used: in result, in condition, in sort  
 Object status: show

Class:	Matching Gift Info
Description:	

No objects

Class:	Matching Gift that Matched This Donation
Description:	

Object: Is there a Matching Gift with this Donation?  
 Type: Character  
 Description: Flag to identify if there Is a Matching Gift with this Donation.  
 Select equivalent: CASE WHEN ORDER\_FND\_DET

AIL.MATCHING\_GIFT\_ORDER\_  
NO IS NULL THEN 'N' ELSE  
'Y' end

Where equivalent:

Qualification: dimension  
List of values: 20h, editable, manual refresh, not exportable  
Security access level: 0  
Can be used: in result, in condition, in sort  
Object status: show

---

Object: Matching Gift Donation Type Code  
Type: Character  
Description: The Matching Gift Donation's Type Code: Cash, Pledge .....

Select equivalent: ORDER\_MBR\_FND\_CUS\_INFO  
\_MATCHING\_GIFT\_VW.Produc  
t\_Type\_Code

Where equivalent:

Qualification: dimension  
List of values: 291, editable, manual refresh, not exportable  
Security access level: 0  
Can be used: in result, in condition, in sort  
Object status: show

---

Object: Matching Gift Donation / Pledge Amount  
Type: Number  
Description: The Matching Gift Donatio  
n / Pledge Amount, whi is  
the sum of the sale amoun  
t and adjustments.

Select equivalent: isnull(sum(FAR\_TXN\_MATCH  
ING\_GIFT\_DONATION\_PLEDG  
E\_AMOUNT.Base\_Amount),0)

Where equivalent: FAR\_TXN\_MATCHING\_GIFT\_D  
ONATION\_PLEDGE\_AMOUNT.T  
XN\_TYPE\_CODE IN ('4','6')

Qualification: measure  
Aggregate function: Sum

List of values: no  
 Security access level: 0  
 Can be used: in result, in condition, in sort  
 Object status: show  
 Format Number  
 Category = Currency  
 \$#,###0.00

---

Object: Matching Gift Donation Paid Amount  
 Type: Number  
 Description: The Matching Gift Donation Paid Amount. It is the sum of receipts, receipts transfers and refunds.

Select equivalent: isnull(sum(FAR\_TXN\_MATCHING\_GIFT\_DONATION\_PAID\_AMOUNT.BASE\_AMOUNT),0)\*-1  
 Where equivalent: FAR\_TXN\_MATCHING\_GIFT\_DONATION\_PAID\_AMOUNT.TXN\_TYPE\_CODE IN ('1','2','3')

Qualification: measure  
 Aggregate function: Sum  
 List of values: no  
 Security access level: 0  
 Can be used: in result, in condition, in sort  
 Object status: show  
 Format Number  
 Category = Currency  
 \$#,###0.00

---

Object: Matching Gift Donation Scheduled Amount  
 Type: Number  
 Description: The Matching Gift Donation Scheduled Amount. It's the total unpaid scheduled amount

Select equivalent: isnull(SUM(FAR\_TXN\_MATCHING\_GIFT\_SCHEDULED\_AMOUNT.BASE\_AMOUNT),0)\*-1  
 Where equivalent: FAR\_TXN\_MATCHING\_GIFT\_SCHEDULED\_AMOUNT.TXN\_TYP

---

---

	E_CODE IN ('9')
Qualification:	measure
Aggregate function:	Sum
List of values:	no
Security access level:	0
Can be used:	in result, in condition, in sort
Object status:	show
Format	Number
	Category = Currency
	\$\$,##0.00

---

Object:	Matching Gift Campaign
Type:	Character
Description:	The Matching Gift Campaign, which is designated in the order.
Select equivalent:	ORDER_MBR_FND_CUS_INFO_MATCHING_GIFT_VW.Campaign

Where equivalent:

Qualification:	dimension
List of values:	295, editable, manual refresh, not exportable
Security access level:	0
Can be used:	in result, in condition, in sort
Object status:	show

---

Object:	Matching Gift Fund
Type:	Character
Description:	The Matching Gift Fund, which is designated in the order.
Select equivalent:	ORDER_MBR_FND_CUS_INFO_MATCHING_GIFT_VW.Fund

Where equivalent:

Qualification:	dimension
List of values:	296, editable, manual refresh, not exportable
Security access level:	0
Can be used:	in result, in condition, in sort
Object status:	show

---

Object:	Matching Gift Appeal
Type:	Character
Description:	The Matching Gift Appeal, which is designated in the order.

---

Select equivalent: ORDER\_MBR\_FND\_CUS\_INFO\_MATCHING\_GIFT\_VW.Appeal

Where equivalent:

Qualification: dimension  
 List of values: 297, editable, manual refresh, not exportable  
 Security access level: 0  
 Can be used: in result, in condition, in sort  
 Object status: show

---

Object: Matching Gift Donation Code  
 Type: Character  
 Description: The Matching Gift Donation Code. It's the Parent Product + Product Code in the product for the donation.

Select equivalent: ORDER\_MBR\_FND\_CUS\_INFO\_MATCHING\_GIFT\_VW.PARENT\_PRODUCT + '-' + ORDER\_MBR\_FND\_CUS\_INFO\_MATCHING\_GIFT\_VW.PRODUCT\_CODE

Where equivalent:

Qualification: dimension  
 List of values: 20o, editable, manual refresh, not exportable  
 Security access level: 0  
 Can be used: in result, in condition, in sort  
 Object status: show

---

Object: Matching Gift Solicitor Team  
 Type: Character  
 Description: The Matching Gift Solicitor Team from the Solicitor in the donation order.

Select equivalent: ORDER\_MBR\_FND\_CUS\_INFO\_MATCHING\_GIFT\_VW.SOLICITOR\_TEAM

Where equivalent:



Qualification: dimension  
 List of values: 20r, editable, manual refresh, not exportable  
 Security access level: 0  
 Can be used: in result, in condition, in sort  
 Object status: show

---

Object: Matching Gift Solicitor Full Name  
 Type: Character  
 Description: The label name format of the solicitor.

Select equivalent: CUSTOMER\_MATCHING\_GIFT\_SOLICITOR.LABEL\_NAME

Where equivalent:

Qualification: dimension  
 List of values: 20s, editable, manual refresh, not exportable  
 Security access level: 0  
 Can be used: in result, in condition, in sort  
 Object status: show

---

Object: Matching Gift Solicitor Last First Name  
 Type: Character  
 Description: The last, first name of the donation's solicitor.

Select equivalent: CUSTOMER\_MATCHING\_GIFT\_SOLICITOR.LAST\_FIRST\_NAME

Where equivalent:

Qualification: dimension  
 List of values: 298, editable, manual refresh, not exportable  
 Security access level: 0  
 Can be used: in result, in condition, in sort  
 Object status: show

---

Object: Matching Gift Solicitor First Name  
 Type: Character  
 Description: The first name of the donation's solicitor.

Select equivalent: CUSTOMER\_MATCHING\_GIFT\_SOLICITOR.FIRST\_NAME

Where equivalent:

Qualification: dimension

List of values: 20t, editable, manual refresh, not exportable  
 Security access level: 0  
 Can be used: in result, in condition, in sort  
 Object status: show

---

Object: Matching Gift SolicitorCustomer Last Name  
 Type: Character  
 Description: The last name of the donation's solicitor.  
 Select equivalent: CUSTOMER\_MATCHING\_GIFT\_SOLICITOR.LAST\_NAME

Where equivalent:

Qualification: dimension  
 List of values: 20u, editable, manual refresh, not exportable  
 Security access level: 0  
 Can be used: in result, in condition, in sort  
 Object status: show

---

Object: Matching Gift Solicitor Search Name  
 Type: Character  
 Description: The search name of the donation's solicitor. (last;first,middle)  
 Select equivalent: CUSTOMER\_MATCHING\_GIFT\_SOLICITOR.SEARCH\_NAME

Where equivalent:

Qualification: dimension  
 List of values: 20v, editable, manual refresh, not exportable  
 Security access level: 0  
 Can be used: in result, in condition, in sort  
 Object status: show

---

Object: Matching Gift Plan ID  
 Type: Number  
 Description: The Matching Gift Plan ID assigned to a matching company that was used in the donation order.

Select equivalent: ORDER\_FND\_DETAIL\_MATCHING\_GIFT.CUS\_FND\_MATCHING\_GIFT\_PLAN\_ID

---

Where equivalent:

Qualification: dimension  
List of values: 21q, editable, manual refresh, not exportable  
Security access level: 0  
Can be used: in result, in condition, in sort  
Object status: show

---

Object: Matching Gift Donor Full Name  
Type: Character  
Description: Matching Gift order bill-to label name.

Select equivalent: ORDER\_MBR\_FND\_CUS\_INFO\_  
MATCHING\_GIFT\_VW.BILL\_LA  
BEL\_NAME

Where equivalent:

Qualification: dimension  
List of values: 2ap, editable, manual refresh, not exportable  
Security access level: 0  
Can be used: in result, in condition, in sort  
Object status: show

---

Object: Matching Gift Donor Last First Name  
Type: Character  
Description: Matching Gift Donor Last,  
First name of the bill-to  
customer on the order.

Select equivalent: ORDER\_MBR\_FND\_CUS\_INFO\_  
MATCHING\_GIFT\_VW.BILL\_LA  
ST\_FIRST\_NAME

Where equivalent:

Qualification: dimension  
List of values: 2aq, editable, manual refresh, not exportable  
Security access level: 0  
Can be used: in result, in condition, in sort  
Object status: show

---

---

Object: **Matching Gift Donor First Name**  
Type: Character  
Description: The Matching Gift donor's First Name for the order bill-to customer.

Select equivalent: ORDER\_MBR\_FND\_CUS\_INFO\_  
MATCHING\_GIFT\_VW.BILL\_FI  
RST\_NAME

Where equivalent:

Qualification: dimension  
List of values: 2ar, editable, manual refresh, not exportable  
Security access level: 0  
Can be used: in result, in condition, in sort  
Object status: show

---

Object: **Matching Gift Donor Last Name**  
Type: Character  
Description: The Matching Gift donor's Last Name for the order bill-to customer.

Select equivalent: ORDER\_MBR\_FND\_CUS\_INFO\_  
MATCHING\_GIFT\_VW.BILL\_LA  
ST\_NAME

Where equivalent:

Qualification: dimension  
List of values: 2as, editable, manual refresh, not exportable  
Security access level: 0  
Can be used: in result, in condition, in sort  
Object status: show

---

Object: **Matching Gift Donor Search Name**  
Type: Character  
Description: The Matching Gift donor's  
Search Name for the bill-  
to customer in the order.  
The format is last;first;m  
iddle.

Select equivalent: ORDER\_MBR\_FND\_CUS\_INFO\_  
MATCHING\_GIFT\_VW.BILL\_SE  
ARCH\_NAME

---

Where equivalent:

Qualification: dimension  
 List of values: 2at, editable, manual refresh, not exportable  
 Security access level: 0  
 Can be used: in result, in condition, in sort  
 Object status: show

---

Object: Matching Gift Donor ID  
 Type: Character  
 Description: The Matching Gift Donor ID is the bill-to customer.

Select equivalent: 

```
CASE WHEN ORDER_MBR_FND
_CUS_INFO_MATCHING_GIFT_
VW.BILL_SUB_CUSTOMER_ID
= 0 THEN ORDER_MBR_FND_
CUS_INFO_MATCHING_GIFT_
VW.BILL_MASTER_CUSTOMER
_ID ELSE ORDER_MBR_FND_
CUS_INFO_MATCHING_GIFT_
VW.BILL_MASTER_CUSTOMER
_ID + '-' + CONVERT(VARCH
AR, ORDER_MBR_FND_CUS_IN
FO_MATCHING_GIFT_VW.BILL
_SUB_CUSTOMER_ID) END
```

Where equivalent:

Qualification: dimension  
 List of values: 2al, editable, manual refresh, not exportable  
 Security access level: 0  
 Can be used: in result, in condition, in sort  
 Object status: show

---

Object: Matching Gift Donor Master ID  
 Type: Character  
 Description: The Matching Gift donor's Bill-to Customer Master ID

Select equivalent: 

```
ORDER_MBR_FND_CUS_INFO
_MATCHING_GIFT_VW.BILL_M
ASTER_CUSTOMER_ID
```

Where equivalent:

Qualification: dimension  
 List of values: 2am, editable, manual refresh, not exportable  
 Security access level: 0  
 Can be used: in result, in condition, in sort  
 Object status: show

---

Object: Matching Gift Donor Sub ID  
 Type: Number  
 Description: The Matching Gift donor's Bill-to Customer Sub ID

Select equivalent: ORDER\_MBR\_FND\_CUS\_INFO  
 \_MATCHING\_GIFT\_VW.BILL\_S  
 UB\_CUSTOMER\_ID

Where equivalent:

Qualification: dimension  
 List of values: 2an, editable, manual refresh, not exportable  
 Security access level: 0  
 Can be used: in result, in condition, in sort  
 Object status: show

Class: Solicitor and Solicitor Teams Description:
--

Object: Solicitor Team  
 Type: Character  
 Description: The code setup to represent a Solicitor Team  
 Select equivalent: FND\_CUSTOMER\_SOLICITOR\_TEAM.TEAM

Where equivalent:

Qualification: dimension  
 List of values: 2a8, editable, manual refresh, not exportable  
 Security access level: 0  
 Can be used: in result, in condition, in sort  
 Object status: show

---

Object: Solicitor Full Name  
 Type: Character  
 Description: The label name of a Solici  
 tor. Prefix + First + Mid

dle + Last + Suffix + Credentials.

Select equivalent: CUSTOMER\_SOLICITOR.LABEL\_NAME

Where equivalent:

Qualification: dimension  
 List of values: 2a9, editable, manual refresh, not exportable  
 Security access level: 0  
 Can be used: in result, in condition, in sort  
 Object status: show

Object: Solicitor First Name  
 Type: Character  
 Description: The first name of a Solicitor.

Select equivalent: CUSTOMER\_SOLICITOR.FIRST\_NAME

Where equivalent:

Qualification: dimension  
 List of values: 2aa, editable, manual refresh, not exportable  
 Security access level: 0  
 Can be used: in result, in condition, in sort  
 Object status: show

Object: Solicitor Last Name  
 Type: Character  
 Description: The first last name of a Solicitor.

Select equivalent: CUSTOMER\_SOLICITOR.LAST\_NAME

Where equivalent:

Qualification: dimension  
 List of values: 2ab, editable, manual refresh, not exportable  
 Security access level: 0  
 Can be used: in result, in condition, in sort  
 Object status: show

Object: Solicitor Search Name  
 Type: Character

Description: The search name of a Solicitor.

Select equivalent: CUSTOMER\_SOLICITOR.SEARCH\_NAME

Where equivalent:

Qualification: dimension

List of values: 2ac, editable, manual refresh, not exportable

Security access level: 0

Can be used: in result, in condition, in sort

Object status: show

---

Object: Solicitor Type

Type: Character

Description: The high level category of a Solicitor. The values are Individual, Company, Committee or Subgroup.

Select equivalent: CUSTOMER\_SOLICITOR.RECORD\_TYPE

Where equivalent:

Qualification: dimension

List of values: 2ad, editable, manual refresh, not exportable

Security access level: 0

Can be used: in result, in condition, in sort

Object status: show

---

Object: Solicitor Team Class Code

Type: Character

Description: The classification of a Solicitor Team is maintained in system codes for the Type TEAM\_CLASS.

Select equivalent: FND\_CUSTOMER\_SOLICITOR\_TEAM.TEAM\_CLASS\_CODE

Where equivalent:

Qualification: dimension

List of values: 2ae, editable, manual refresh, not exportable

Security access level: 0

Can be used: in result, in condition, in sort

---



Object status: show

---

Object: **Team Begin Date**  
 Type: Date  
 Description: The Begin Date is the first day a solicitor team is available to be assigned. It's maintained on the Solicitor Team Maintenance screen.

Select equivalent: FND\_CUSTOMER\_SOLICITOR\_TEAM.BEGIN\_DATE

Where equivalent:

Qualification: dimension  
 List of values: 2af, editable, manual refresh, not exportable  
 Security access level: 0  
 Can be used: in result, in condition, in sort  
 Object status: show

---

Object: **Team End Date**  
 Type: Date  
 Description: The End Date is the last day a solicitor team is available to be assigned. It's maintained on the Solicitor Team Maintenance screen.

Select equivalent: FND\_CUSTOMER\_SOLICITOR\_TEAM.END\_DATE

Where equivalent:

Qualification: dimension  
 List of values: 2ag, editable, manual refresh, not exportable  
 Security access level: 0  
 Can be used: in result, in condition, in sort  
 Object status: show

---

Object: **Solicitor ID**  
 Type: Character  
 Description: The Solicitor ID is the same as Solicitor Master ID

Select equivalent: CASE WHEN FND\_SOLICITOR.SOLICITOR\_SUB\_CUST  
= 0 THEN FND\_SOLICITOR.SOLICITOR\_MAST\_CUST  
ELSE FND\_SOLICITOR.SOLICITOR\_MAST\_CUST  
+ '-' + CONVERT(VARCHAR,  
FND\_SOLICITOR.SOLICITOR\_  
MAST\_CUST  
) END

Where equivalent:

Qualification: dimension  
List of values: 2ah, editable, manual refresh, not exportable  
Security access level: 0  
Can be used: in result, in condition, in sort  
Object status: show

---

Object: Solicitor Master ID  
Type: Character  
Description: The Solicitor Master ID is the Customer ID of this solicitor.

Select equivalent: FND\_SOLICITOR.SOLICITOR\_MAST\_CUST

Where equivalent:

Qualification: dimension  
List of values: 2ai, editable, manual refresh, not exportable  
Security access level: 0  
Can be used: in result, in condition, in sort  
Object status: show

---

Object: Solicitor Sub ID  
Type: Number  
Description: The Solicitor Sub ID is the Customer Sub ID of this solicitor.

Select equivalent: FND\_SOLICITOR.SOLICITOR\_SUB\_CUST

Where equivalent:

Qualification: dimension  
List of values: 2aj, editable, manual refresh, not exportable  
Security access level: 0  
Can be used: in result, in condition, in sort  
Object status: show

---

Object: Solicitor Begin Date  
 Type: Date  
 Description: Identifies the date the solicitor started as a fundraising solicitor.  
 Select equivalent: FND\_SOLICITOR.BEGIN\_DATE  
 Where equivalent:

Qualification: dimension  
 List of values: 2j7, editable, manual refresh, not exportable  
 Security access level: 0  
 Can be used: in result, in condition, in sort  
 Object status: show

---

Object: Solicitor End Date  
 Type: Date  
 Description: Identifies the date the solicitor's service as a fundraising solicitor ended.  
 Select equivalent: FND\_SOLICITOR.END\_DATE  
 Where equivalent:

Qualification: dimension  
 List of values: 2j8, editable, manual refresh, not exportable  
 Security access level: 0  
 Can be used: in result, in condition, in sort  
 Object status: show

---

Object: Manager of Solicitor  
 Type: Character  
 Description: Name of the Personify user that manages each solicitor.  
 Select equivalent: PSM\_USER\_MANAGER.USER\_NAME  
 Where equivalent:

Qualification: dimension  
 List of values: 2js, editable, manual refresh, not exportable  
 Security access level: 0  
 Can be used: in result, in condition, in sort  
 Object status: show

Class:	In Tribute To Info
Description:	

---

**Object:** Donation Tribute Type  
**Type:** Character  
**Description:** The Donation Tribute Type assigned in the donation order. The codes are maintained in system codes, Type TRIBUTE\_TYPE. EX: In Honor Of, In Memory Of

**Select equivalent:** ORDER\_FND\_DETAIL.TRIBUTE\_TYPE\_CODE

**Where equivalent:**

**Qualification:** dimension  
**List of values:** 1yx, editable, manual refresh, not exportable  
**Security access level:** 0  
**Can be used:** in result, in condition, in sort  
**Object status:** show

---

**Object:** In Tribute To Description  
**Type:** Character  
**Description:** The free text description of the tribute entered into the donation order.

**Select equivalent:** ORDER\_FND\_DETAIL.IN\_TRIBUTE\_TO\_DESCR

**Where equivalent:**

**Qualification:** dimension  
**List of values:** 1yy, editable, manual refresh, not exportable  
**Security access level:** 0  
**Can be used:** in result, in condition, in sort  
**Object status:** show

---

**Object:** In Tribute to Full Name  
**Type:** Character  
**Description:** The Donation In Tribute to customer's label name.

**Select equivalent:** CUSTOMER\_IN\_TRIBUTE\_TO.LABEL\_NAME

**Where equivalent:**

**Qualification:** dimension

---

List of values: 200, editable, manual refresh, not exportable  
 Security access level: 0  
 Can be used: in result, in condition, in sort  
 Object status: show

---

Object: In Tribute to First Name  
 Type: Character  
 Description: The Donation In Tribute to customer's first name.

Select equivalent: CUSTOMER\_IN\_TRIBUTE\_TO.FIRST\_NAME

Where equivalent:

Qualification: dimension  
 List of values: 201, editable, manual refresh, not exportable  
 Security access level: 0  
 Can be used: in result, in condition, in sort  
 Object status: show

---

Object: In Tribute to Last Name  
 Type: Character  
 Description: The Donation In Tribute to customer's last name.

Select equivalent: CUSTOMER\_IN\_TRIBUTE\_TO.LAST\_NAME

Where equivalent:

Qualification: dimension  
 List of values: 202, editable, manual refresh, not exportable  
 Security access level: 0  
 Can be used: in result, in condition, in sort  
 Object status: show

---

Object: In Tribute to Search Name  
 Type: Character  
 Description: The Donation In Tribute to customer's search name.

Select equivalent: CUSTOMER\_SOLICITOR.SEARCH\_NAME

Where equivalent:

Qualification: dimension  
 List of values: 203, editable, manual refresh, not exportable

---

Security access level: 0  
 Can be used: in result, in condition, in sort  
 Object status: show

---

Object: In Tribute ID  
 Type: Character  
 Description: The Donation In Tribute to customer's Customer ID

Select equivalent: CASE WHEN ORDER\_FND\_DET  
 AIL.IN\_TRIBUTE\_TO\_SUB\_CU  
 ST = 0 THEN ORDER\_FND\_DE  
 TAIL.IN\_TRIBUTE\_TO\_MAST\_  
 CUST ELSE ORDER\_FND\_DETA  
 IL.IN\_TRIBUTE\_TO\_MAST\_CU  
 ST+ ' ' + CONVERT(VARCHA  
 R, ORDER\_FND\_DETAIL.IN\_T  
 RIBUTE\_TO\_SUB\_CUST) END

Where equivalent:

Qualification: dimension  
 List of values: 20e, editable, manual refresh, not exportable  
 Security access level: 0  
 Can be used: in result, in condition, in sort  
 Object status: show

---

Object: In Tribute to Master ID  
 Type: Character  
 Description: The Donation In Tribute to customer's Customer ID.

Select equivalent: ORDER\_FND\_DETAIL.IN\_TRIBUTE\_TO\_MAST\_CUST

Where equivalent:

Qualification: dimension  
 List of values: 20f, editable, manual refresh, not exportable  
 Security access level: 0  
 Can be used: in result, in condition, in sort  
 Object status: show

---

Object: In tribute to Sub ID  
 Type: Number  
 Description: The Donation In Tribute to customer's Customer sub ID.

Select equivalent: ORDER\_FND\_DETAIL.IN\_TRIBUTE\_TO\_SUB\_CUST

Where equivalent:

Qualification: dimension  
 List of values: 20g, editable, manual refresh, not exportable  
 Security access level: 0  
 Can be used: in result, in condition, in sort  
 Object status: show

---

Object: In Tribute to Record Type  
 Type: Character  
 Description: The high level category of a Solicitor. The values are Individual, Company, Committee or Subgroup.

Select equivalent: CUSTOMER\_SOLICITOR.RECORD\_TYPE

Where equivalent:

Qualification: dimension  
 List of values: 204, editable, manual refresh, not exportable  
 Security access level: 0  
 Can be used: in result, in condition, in sort  
 Object status: show

Class:	Marketing Info
Description:	

Object: Key Code  
 Type: Character  
 Description: The Key Code is defined as the use of a marketing list and is added to the order line.

Select equivalent: ORDER\_MBR\_FND\_MTG\_CUS\_INFO\_VW.KEY\_CODE

Where equivalent:

Qualification: dimension  
 List of values: 1y5, editable, manual refresh, not exportable

---

Security access level: 0  
Can be used: in result, in condition, in sort  
Object status: show

---

Object: **List Code**  
Type: Character  
Description: The List Code is defined as a marketing list and is added to the order line.

Select equivalent: ORDER\_MBR\_FND\_MTG\_CUS\_INFO\_VW.LIST\_CODE

Where equivalent:

Qualification: dimension  
List of values: 1y6, editable, manual refresh, not exportable  
Security access level: 0  
Can be used: in result, in condition, in sort  
Object status: show

---

Object: **Market Code**  
Type: Character  
Description: The Market Code is defined as a marketing campaign effort and is added to the order line.

Select equivalent: ORDER\_MBR\_FND\_MTG\_CUS\_INFO\_VW.MARKET\_CODE

Where equivalent:

Qualification: dimension  
List of values: 1y7, editable, manual refresh, not exportable  
Security access level: 0  
Can be used: in result, in condition, in sort  
Object status: show

---

Object: **Number of people mailed to**  
Type: Number  
Description: The Number of people mailed to in a marketing communication by snail-mail, e-mail or fax.

---



Select equivalent: MKT\_MAIL\_MASTER.RECORDS\_PROCESSED  
Where equivalent:

Qualification: dimension  
List of values: 2bc, editable, manual refresh, not exportable  
Security access level: 0  
Can be used: in result, in condition, in sort  
Object status: show

---

Object: Number of responses  
Type: Number  
Description: The Number of responses i  
s a count of orders with s  
ame key, list or market co  
de.

Select equivalent: COUNT(ORDER\_MBR\_FND\_MTG\_CUS\_INFO\_VW.ORDER\_NO)  
Where equivalent:

Qualification: measure  
Aggregate function: Sum  
List of values: no  
Security access level: 0  
Can be used: in result, in condition, in sort  
Object status: show

Class:	Donation Soft Credit Recipient
Description:	

Object: Soft Credit Recipient Full Name  
Type: Character  
Description: The Soft Credit recipient's full name.

Select equivalent: CUSTOMER\_SOFT\_CREDIT.LABEL\_NAME

Where equivalent:

Qualification: dimension  
List of values: 1ys, editable, manual refresh, not exportable  
Security access level: 0  
Can be used: in result, in condition, in sort  
Object status: show

---

Object: Soft Credit Recipient Last First Name  
Type: Character  
Description: The Soft Credit recipient's last, first name.

Select equivalent: CUSTOMER\_SOFT\_CREDIT.LAST\_FIRST\_NAME

Where equivalent:

Qualification: dimension  
List of values: 299, editable, manual refresh, not exportable  
Security access level: 0  
Can be used: in result, in condition, in sort  
Object status: show

---

Object: Soft Credit Recipient First Name  
Type: Character  
Description: The Soft Credit recipient's first name.

Select equivalent: CUSTOMER\_SOFT\_CREDIT.FIRST\_NAME

Where equivalent:

Qualification: dimension  
List of values: 1yt, editable, manual refresh, not exportable  
Security access level: 0  
Can be used: in result, in condition, in sort  
Object status: show

---

Object: Soft Credit Recipient Last Name  
Type: Character  
Description: The Soft Credit recipient's last name.

Select equivalent: CUSTOMER\_SOFT\_CREDIT.LAST\_NAME

Where equivalent:

Qualification: dimension  
List of values: 1yu, editable, manual refresh, not exportable  
Security access level: 0  
Can be used: in result, in condition, in sort  
Object status: show

---

---

**Object:** Soft Credit Recipient Search Name  
**Type:** Character  
**Description:** The Soft Credit recipient's search name.  
  
**Select equivalent:** CUSTOMER\_SOFT\_CREDIT.SEARCH\_NAME  
  
**Where equivalent:**  
  
**Qualification:** dimension  
**List of values:** 1yv, editable, manual refresh, not exportable  
**Security access level:** 0  
**Can be used:** in result, in condition, in sort  
**Object status:** show

---

**Object:** Soft Credit Recipient Record Type  
**Type:** Character  
**Description:** The Soft Credit recipient's customer record type of Individual or Company.  
  
**Select equivalent:** CUSTOMER\_SOFT\_CREDIT.RECORD\_TYPE  
  
**Where equivalent:**  
  
**Qualification:** dimension  
**List of values:** 1yw, editable, manual refresh, not exportable  
**Security access level:** 0  
**Can be used:** in result, in condition, in sort  
**Object status:** show

---

**Object:** Soft Credit Donor ID  
**Type:** Character  
**Description:** The Customer ID of the donor who receives soft credit on an order.  
  
**Select equivalent:**

```

CASE WHEN ORDER_FND_DET
AIL.SOFT_CREDIT_SUB_CUST
OMER = 0 THEN ORDER_FND_
DETAIL.SOFT_CREDIT_MAST_
CUST ELSE ORDER_FND_DETA
IL.SOFT_CREDIT_MAST_CUST
+ '!' + CONVERT(VARCHAR,
ORDER_FND_DETAIL.SOFT_C
REDIT_SUB_CUSTOMER) END

```

---

Where equivalent:

Qualification: dimension  
 List of values: 20b, editable, manual refresh, not exportable  
 Security access level: 0  
 Can be used: in result, in condition, in sort  
 Object status: show

---

Object: Soft Credit Master ID  
 Type: Character  
 Description: The Customer ID of the donor who receives soft credit on an order.

Select equivalent: ORDER\_FND\_DETAIL.SOFT\_CREDIT\_MAST\_CUST

Where equivalent:

Qualification: dimension  
 List of values: 20c, editable, manual refresh, not exportable  
 Security access level: 0  
 Can be used: in result, in condition, in sort  
 Object status: show

---

Object: Soft Credit Sub ID  
 Type: Number  
 Description: The Sub Customer ID of the donor who receives soft credit on an order.

Select equivalent: ORDER\_FND\_DETAIL.SOFT\_CREDIT\_SUB\_CUSTOMER

Where equivalent:

Qualification: dimension  
 List of values: 20d, editable, manual refresh, not exportable  
 Security access level: 0  
 Can be used: in result, in condition, in sort  
 Object status: show

Class:	Donation GL Account Info
Description:	

Object: Batch No  
 Type: Character

---

Description: The receipt batch name that was used when the donation was recorded.

Select equivalent: FAR\_TXN.BATCH  
Where equivalent:

Qualification: dimension  
List of values: 2au, editable, manual refresh, not exportable  
Security access level: 0  
Can be used: in result, in condition, in sort  
Object status: show

---

Object: Transaction Date  
Type: Date  
Description: The Date when the donation order was created.

Select equivalent: FAR\_TXN.TXN\_DATE  
Where equivalent:

Qualification: dimension  
List of values: 2av, editable, manual refresh, not exportable  
Security access level: 0  
Can be used: in result, in condition, in sort  
Object status: show

---

Object: Transaction Type  
Type: Character  
Description: The Transaction Type of "4" is the sale (donation) and "1" is the receipt.

Select equivalent: FAR\_TXN.TXN\_TYPE\_CODE  
Where equivalent:

Qualification: dimension  
List of values: 2aw, editable, manual refresh, not exportable  
Security access level: 0  
Can be used: in result, in condition, in sort  
Object status: show

---

Object: Account  
Type: Character

---

Description: The GLAccount Account that receives the revenue and the cash amount. Pledges use an AR account.

Select equivalent: FAR\_TXN\_DETAIL.ACCOUNT  
Where equivalent:

Qualification: dimension  
List of values: 2ax, editable, manual refresh, not exportable  
Security access level: 0  
Can be used: in result, in condition, in sort  
Object status: show

Object: **Amount**  
Type: Number  
Description: The Base Amount of the donation.

Select equivalent: isnull(FAR\_TXN.BASE\_AMOUNT,0)  
Where equivalent:

Qualification: dimension  
List of values: 2ay, editable, manual refresh, not exportable  
Security access level: 0  
Can be used: in result, in condition, in sort  
Object status: show  
Format: Number  
Category = Currency  
\$#,##0.00

Class: Donor / Prospect (Constituent) Info  
Description:

Object: **Link to Constituent**  
Type: Character  
Description: Use this object to open the selected Constituent in Constituent Central. You can only link the selected Constituent to Constituent Central when the report is viewed in view mode.  
DO NOT USE IN A REPORT

Select equivalent: '<a href=cmd://Main/OpenV

```

iew?Name=FND006_Constitu
ent_Central&Key='+
ORDER_MBR_FND_MTG_CUS_I
NFO_VW.BILL_MASTER_CUST
OMER_ID+'|'+Convert(char,
ORDER_MBR_FND_MTG_CUS_
INFO_VW.BILL_SUB_CUSTOME
R_ID)+ ' Target=_Blank>'
+ORDER_MBR_FND_MTG_CUS_
INFO_VW.BILL_MASTER_CUST
OMER_ID+'</a>'

```

Where equivalent:

Qualification: dimension  
List of values: 2j0, editable, manual refresh, not exportable  
Security access level: 0  
Can be used: in result, in condition, in sort  
Object status: show  
Format

---

Object: Constituent Full Name  
Type: Character  
Description: The full name of the bill-to customer on an order.

Select equivalent: ORDER\_MBR\_FND\_MTG\_CUS\_INFO\_VW.BILL\_LABEL\_NAME

Where equivalent:

Qualification: dimension  
List of values: 22j, editable, manual refresh, not exportable  
Security access level: 0  
Can be used: in result, in condition, in sort  
Object status: show

---

Object: Constituent First Name  
Type: Character  
Description: The first name of the bill-to customer on an order.

Select equivalent: ORDER\_MBR\_FND\_MTG\_CUS\_INFO\_VW.BILL\_FIRST\_NAME

Where equivalent:

Qualification: dimension  
List of values: 22k, editable, manual refresh, not exportable  
Security access level: 0

---

Can be used: in result, in condition, in sort  
Object status: show

---

Object: **Constituent Last Name**  
Type: Character  
Description: The last name of the bill-to customer on an order.

Select equivalent: ORDER\_MBR\_FND\_MTG\_CUS\_INFO\_VW.BILL\_LAST\_NAME

Where equivalent:

Qualification: dimension  
List of values: 22l, editable, manual refresh, not exportable  
Security access level: 0  
Can be used: in result, in condition, in sort  
Object status: show

---

Object: **Constituent Search Name**  
Type: Character  
Description: The search name of the bill-to customer on an order.

Select equivalent: ORDER\_MBR\_FND\_MTG\_CUS\_INFO\_VW.BILL\_SEARCH\_NAME

Where equivalent:

Qualification: dimension  
List of values: 22m, editable, manual refresh, not exportable  
Security access level: 0  
Can be used: in result, in condition, in sort  
Object status: show

---

Object: **Constituent Record Type**  
Type: Character  
Description: The record type of the bill-to customer on an order.  
Either Individual(I) or Company(C).

Select equivalent: ORDER\_MBR\_FND\_MTG\_CUS\_INFO\_VW.BILL\_CUSTOMER\_RECORD\_TYPE

Where equivalent:

---



Qualification: dimension  
 List of values: 22n, editable, manual refresh, not exportable  
 Security access level: 0  
 Can be used: in result, in condition, in sort  
 Object status: show

---

Object: **Constituent Class**  
 Type: Character  
 Description: The customer class of the bill-to customer on an order.

Select equivalent: ORDER\_MBR\_FND\_MTG\_CUS\_I  
 NFO\_VW.BILL\_CUSTOMER\_CL  
 ASS\_CODE

Where equivalent:

Qualification: dimension  
 List of values: 22o, editable, manual refresh, not exportable  
 Security access level: 0  
 Can be used: in result, in condition, in sort  
 Object status: show

---

Object: **Constituent Status**  
 Type: Character  
 Description: The customer status of the bill-to customer on an order.

Select equivalent: ORDER\_MBR\_FND\_MTG\_CUS\_I  
 NFO\_VW.BILL\_CUSTOMER\_ST  
 ATUS\_CODE

Where equivalent:

Qualification: dimension  
 List of values: 22p, editable, manual refresh, not exportable  
 Security access level: 0  
 Can be used: in result, in condition, in sort  
 Object status: show

---

Object: **Constituent ID**  
 Type: Character  
 Description: The Master Customer ID of the bill-to customer on an order.

Select equivalent:           CASE WHEN ORDER\_MBR\_FND  
                                   \_MTG\_CUS\_INFO\_VW .BILL\_S  
                                   UB\_CUSTOMER\_ID = 0 THEN  
                                   ORDER\_MBR\_FND\_MTG\_CUS\_I  
                                   NFO\_VW.BILL\_MASTER\_CUST  
                                   OMER\_ID ELSE ORDER\_MBR\_F  
                                   ND\_MTG\_CUS\_INFO\_VW.BILL  
                                   \_MASTER\_CUSTOMER\_ID + '-  
                                   ' + CONVERT(VARCHAR, ORD  
                                   ER\_MBR\_FND\_MTG\_CUS\_INFO  
                                   \_VW.BILL\_SUB\_CUSTOMER\_ID  
                                   ) END

Where equivalent:

Qualification:               dimension  
 List of values:              22y, editable, manual refresh, not exportable  
 Security access level:      0  
 Can be used:                in result, in condition, in sort  
 Object status:              show

---

Object:                      Constituent Master ID  
 Type:                        Character  
 Description:                 The Master Customer ID of the bill-to customer on an order.

Select equivalent:           ORDER\_MBR\_FND\_MTG\_CUS\_I  
                                   NFO\_VW.BILL\_MASTER\_CUST  
                                   OMER\_ID

Where equivalent:

Qualification:              dimension  
 List of values:              230, editable, manual refresh, not exportable  
 Security access level:      0  
 Can be used:                in result, in condition, in sort  
 Object status:              show

---

Object:                      Constituent Sub ID  
 Type:                        Number  
 Description:                 The Sub Customer ID of the bill-to customer on an order.  
 Select equivalent:           ORDER\_MBR\_FND\_MTG\_CUS\_INFO\_VW.BILL\_SUB\_CUSTOMER\_ID

Where equivalent:

Qualification: dimension  
 List of values: 231, editable, manual refresh, not exportable  
 Security access level: 0  
 Can be used: in result, in condition, in sort  
 Object status: show

Class:	<b>Donor Matching Gift Info</b>
Description:	

Object: Donor Customer ID  
 Type: Character  
 Description: The Matching Gift Donor ID is the bill-to customer.

Select equivalent: 

```
CASE WHEN CUS_FND_MATCHING_GIFT_PLAN.SUB_CUSTOMER_ID = 0 THEN CUS_FND_MATCHING_GIFT_PLAN.MASTER_CUSTOMER_ID ELSE CUS_FND_MATCHING_GIFT_PLAN.MASTER_CUSTOMER_ID + '-' + CONVERT(VARCHAR, CUS_FND_MATCHING_GIFT_PLAN.SUB_CUSTOMER_ID) END
```

Where equivalent:

Qualification: dimension  
 List of values: 2db, editable, manual refresh, not exportable  
 Security access level: 0  
 Can be used: in result, in condition, in sort  
 Object status: show

---

Object: Donor Master Customer ID  
 Type: Character  
 Description: This is the Customer ID who has this matching plan.

Select equivalent: CUS\_FND\_MATCHING\_GIFT\_PLAN.MASTER\_CUSTOMER\_ID

Where equivalent:

Qualification: dimension  
 List of values: 2dc, editable, manual refresh, not exportable  
 Security access level: 0  
 Can be used: in result, in condition, in sort

---

Object status: show

---

Object: Donor Sub Customer ID  
Type: Number  
Description: The Sub Customer ID who has this matching plan.  
Select equivalent: CUS\_FND\_MATCHING\_GIFT\_PLAN.SUB\_CUSTOMER\_ID  
Where equivalent:  
Qualification: dimension  
List of values: 2dd, editable, manual refresh, not exportable  
Security access level: 0  
Can be used: in result, in condition, in sort  
Object status: show

---

Object: Matching Gift Effective Date  
Type: Date  
Description: The start Date when this matching plan can be used.  
Select equivalent: CUS\_FND\_MATCHING\_GIFT\_PLAN.BEGIN\_DATE  
Where equivalent:  
Qualification: dimension  
List of values: 2de, editable, manual refresh, not exportable  
Security access level: 0  
Can be used: in result, in condition, in sort  
Object status: show

---

Object: Matching Gift End Date  
Type: Date  
Description: The end Date when this matching plan is terminated.  
Select equivalent: CUS\_FND\_MATCHING\_GIFT\_PLAN.END\_DATE  
Where equivalent:  
Qualification: dimension  
List of values: 2df, editable, manual refresh, not exportable  
Security access level: 0  
Can be used: in result, in condition, in sort  
Object status: show

---

---

Object: Matching Gift Plan Type Code  
 Type: Character  
 Description: Only the "Employeee" plan is used, which uses the E mployment relationship.

Select equivalent: CUS\_FND\_MATCHING\_GIFT\_P  
 LAN.MATCHING\_GIFT\_PLAN\_T  
 YPE\_CODE

Where equivalent:

Qualification: dimension  
 List of values: 2dg, editable, manual refresh, not exportable  
 Security access level: 0  
 Can be used: in result, in condition, in sort  
 Object status: show

---

Object: Per Gift Match up to Amount  
 Type: Number  
 Description: The maximum donation amount that is used to calculate the match.

Select equivalent: CUS\_FND\_MATCHING\_GIFT\_P  
 LAN.PER\_GIFT\_MATCH\_UP\_TO  
 \_AMOUNT

Where equivalent:

Qualification: dimension  
 List of values: 2dh, editable, manual refresh, not exportable  
 Security access level: 0  
 Can be used: in result, in condition, in sort  
 Object status: show

---

Object: Per Gift Matching Percentage  
 Type: Number  
 Description: The percent that is used to calculate the match.

Select equivalent: CUS\_FND\_MATCHING\_GIFT\_PLAN.PER\_GIFT\_MATCHING\_PCT

Where equivalent:

Qualification: dimension  
 List of values: 2di, editable, manual refresh, not exportable  
 Security access level: 0  
 Can be used: in result, in condition, in sort  
 Object status: show

---

Object: **Plan Limit Amount**  
 Type: Number  
 Description: The maximum total amount matched that is used to stop the plan.

Select equivalent: CUS\_FND\_MATCHING\_GIFT\_PLAN.PLAN\_LIMIT\_AMOUNT

Where equivalent:

Qualification: dimension  
 List of values: 2dj, editable, manual refresh, not exportable  
 Security access level: 0  
 Can be used: in result, in condition, in sort  
 Object status: show

---

Object: **Fund**  
 Type: Character  
 Description: The Fund assigned to the matching plan.

Select equivalent: CUS\_FND\_MATCHING\_GIFT\_PLAN.FUND

Where equivalent:

Qualification: dimension  
 List of values: 2dk, editable, manual refresh, not exportable  
 Security access level: 0  
 Can be used: in result, in condition, in sort  
 Object status: show

---

Object: **Appeal**  
 Type: Character  
 Description: The Appeal assigned to the matching plan.

Select equivalent: CUS\_FND\_MATCHING\_GIFT\_PLAN.APPEAL

Where equivalent:

Qualification: dimension

List of values: 2dl, editable, manual refresh, not exportable  
 Security access level: 0  
 Can be used: in result, in condition, in sort  
 Object status: show

---

Object: Campaign  
 Type: Character  
 Description: The Campaign assigned to the matching plan.

Select equivalent: CUS\_FND\_MATCHING\_GIFT\_PLAN.CAMPAIGN

Where equivalent:

Qualification: dimension  
 List of values: 2dm, editable, manual refresh, not exportable  
 Security access level: 0  
 Can be used: in result, in condition, in sort  
 Object status: show

---

Object: Acknowledgement Name  
 Type: Character  
 Description: The text name assigned to the matching plan for acknowledgements.

Select equivalent: CUS\_FND\_MATCHING\_GIFT\_PLAN.ACKNOWLEDGEMENT\_NAME

Where equivalent:

Qualification: dimension  
 List of values: 2dn, editable, manual refresh, not exportable  
 Security access level: 0  
 Can be used: in result, in condition, in sort  
 Object status: show

---

Object: Tribute Type Code  
 Type: Character  
 Description: The Tribute Type Code such as " In Honor of" and "In Memory of".

Select equivalent: CUS\_FND\_MATCHING\_GIFT\_PLAN.TRIBUTE\_TYPE\_CODE

Where equivalent:

Qualification: dimension  
 List of values: 2do, editable, manual refresh, not exportable

---

Security access level: 0  
 Can be used: in result, in condition, in sort  
 Object status: show

---

Object: In Tribute To Description  
 Type: Character  
 Description: The free text of explanation about the tribute of the plan.

Select equivalent: CUS\_FND\_MATCHING\_GIFT\_PLAN.IN\_TRIBUTE\_TO\_DESCR

Where equivalent:

Qualification: dimension  
 List of values: 2dp, editable, manual refresh, not exportable  
 Security access level: 0  
 Can be used: in result, in condition, in sort  
 Object status: show

---

Object: In Tribute To Customer ID  
 Type: Character  
 Description: The Customer ID of the customer for the tribute.

Select equivalent: CASE WHEN CUS\_FND\_MATCHING\_GIFT\_PLAN.IN\_TRIBUTE\_TO\_SUB\_CUST = 0 THEN CUS\_FND\_MATCHING\_GIFT\_PLAN.IN\_TRIBUTE\_TO\_MAST\_CUST ELSE CUS\_FND\_MATCHING\_GIFT\_PLAN.IN\_TRIBUTE\_TO\_MAST\_CUST+ '-' + CONVERT(VARCHAR, CUS\_FND\_MATCHING\_GIFT\_PLAN.IN\_TRIBUTE\_TO\_SUB\_CUST) END

Where equivalent:

Qualification: dimension  
 List of values: 2dq, editable, manual refresh, not exportable  
 Security access level: 0  
 Can be used: in result, in condition, in sort  
 Object status: show

---

Object: In Tribute To Master Customer ID

---



---

Type: Character  
Description: The Customer ID of the customer for the tribute.  
Select equivalent: CUS\_FND\_MATCHING\_GIFT\_PLAN.IN\_TRIBUTE\_TO\_MAST\_CUST  
Where equivalent:  
Qualification: dimension  
List of values: 2dr, editable, manual refresh, not exportable  
Security access level: 0  
Can be used: in result, in condition, in sort  
Object status: show

---

Object: In Tribute to Sub Customer ID  
Type: Number  
Description: The Sub Customer ID of the customer for the tribute.  
Select equivalent: CUS\_FND\_MATCHING\_GIFT\_PLAN.IN\_TRIBUTE\_TO\_SUB\_CUST  
Where equivalent:  
Qualification: dimension  
List of values: 2ds, editable, manual refresh, not exportable  
Security access level: 0  
Can be used: in result, in condition, in sort  
Object status: show

---

Object: Total Matched Donations Quantity  
Type: Number  
Description: The current count of Matched Donations.  
Select equivalent: CUS\_FND\_MATCHING\_GIFT\_P  
LAN.TOTAL\_MATCHED\_DONAT  
IONS\_QTY  
Where equivalent:  
Qualification: dimension  
List of values: 2dt, editable, manual refresh, not exportable  
Security access level: 0  
Can be used: in result, in condition, in sort  
Object status: show

---

Object: **Total Gift Matched Amount**  
 Type: Number  
 Description: The current total donation amount that was used to calculate the matched.

Select equivalent: CUS\_FND\_MATCHING\_GIFT\_P  
 LAN.TOTAL\_GIFT\_MATCHED\_A  
 MOUNT

Where equivalent:

Qualification: dimension  
 List of values: 2du, editable, manual refresh, not exportable  
 Security access level: 0  
 Can be used: in result, in condition, in sort  
 Object status: show

---

Object: **Total Donation Amount**  
 Type: Number  
 Description: The current total donation amount that was matched.

Select equivalent: CUS\_FND\_MATCHING\_GIFT\_PLAN.TOTAL\_DONATION\_AMOUNT

Where equivalent:

Qualification: dimension  
 List of values: 2dv, editable, manual refresh, not exportable  
 Security access level: 0  
 Can be used: in result, in condition, in sort  
 Object status: show

---

Object: **Plan Limit Reached Date**  
 Type: Date  
 Description: The date the plan reached its maximum plan match amount.

Select equivalent: CUS\_FND\_MATCHING\_GIFT\_PLAN.PLAN\_LIMIT\_REACHED\_DATE

Where equivalent:

Qualification: dimension  
 List of values: 2dw, editable, manual refresh, not exportable  
 Security access level: 0  
 Can be used: in result, in condition, in sort

Object status: show

Class:	Donor Credits and Recognition
Description:	

No objects

Class:	Donor Credits
Description:	

Object: Campaign  
 Type: Character  
 Description: The Campaign code assigned to the donation.

Select equivalent: FND\_CREDIT.CAMPAIGN

Where equivalent:

Qualification: dimension  
 List of values: 29a, editable, manual refresh, not exportable  
 Security access level: 0  
 Can be used: in result, in condition, in sort  
 Object status: show

---

Object: Fund  
 Type: Character  
 Description: The Fund code assigned to the donation.

Select equivalent: FND\_CREDIT.FUND

Where equivalent:

Qualification: dimension  
 List of values: 29b, editable, manual refresh, not exportable  
 Security access level: 0  
 Can be used: in result, in condition, in sort  
 Object status: show

---

Object: Appeal  
 Type: Character  
 Description: The Appeal code assigned to the donation.

Select equivalent: FND\_CREDIT.APPEAL

Where equivalent:

Qualification: dimension  
 List of values: 29c, editable, manual refresh, not exportable  
 Security access level: 0  
 Can be used: in result, in condition, in sort  
 Object status: show

---

Object: Solicitor Team  
 Type: Character  
 Description: The solicitor team name for this donation.

Select equivalent: FND\_CREDIT.SOLICITOR\_TEAM

Where equivalent:

Qualification: dimension  
 List of values: 29d, editable, manual refresh, not exportable  
 Security access level: 0  
 Can be used: in result, in condition, in sort  
 Object status: show

---

Object: Solicitor Full Name  
 Type: Character  
 Description: The solicitor's full name for this donation.

Select equivalent: CUSTOMER\_SOLICITOR.LABEL\_NAME

Where equivalent:

Qualification: dimension  
 List of values: 29e, editable, manual refresh, not exportable  
 Security access level: 0  
 Can be used: in result, in condition, in sort  
 Object status: show

---

Object: Credit Amount  
 Type: Number  
 Description: The amount of the donation.

Select equivalent: FND\_CREDIT.CREDIT\_AMOUNT

## Where equivalent:

Qualification: dimension  
 List of values: 29f, editable, manual refresh, not exportable  
 Security access level: 0  
 Can be used: in result, in condition, in sort  
 Object status: show

---

Object: **Credit Type Code**  
 Type: Character  
 Description: This refers to who brought  
 in the donation, i.e. Soli  
 citor, Bill (self), Employe  
 r ...

Select equivalent: FND\_CREDIT.CREDIT\_TYPE\_CODE

## Where equivalent:

Qualification: dimension  
 List of values: 29g, editable, manual refresh, not exportable  
 Security access level: 0  
 Can be used: in result, in condition, in sort  
 Object status: show

---

Object: **Donor Name**  
 Type: Character  
 Description: The full name of the Donor.

Select equivalent: FND\_CREDIT.DONOR\_NAME

## Where equivalent:

Qualification: dimension  
 List of values: 29h, editable, manual refresh, not exportable  
 Security access level: 0  
 Can be used: in result, in condition, in sort  
 Object status: show

---

Object: **Credit Role Code**  
 Type: Character  
 Description: The role of a donation cus

tomer could be Donor, Solicitor, Employer ...

Select equivalent: FND\_CREDIT.CREDIT\_ROLE\_CODE

Where equivalent:

Qualification: dimension  
 List of values: 29i, editable, manual refresh, not exportable  
 Security access level: 0  
 Can be used: in result, in condition, in sort  
 Object status: show

---

Object: Soft Credit Full Name  
 Type: Character  
 Description: The label name of the customer receiving soft credit in this order.

Select equivalent: CUSTOMER\_FND\_CREDIT.LABEL\_NAME

Where equivalent:

Qualification: dimension  
 List of values: 29j, editable, manual refresh, not exportable  
 Security access level: 0  
 Can be used: in result, in condition, in sort  
 Object status: show

---

Object: Solicitor ID  
 Type: Character  
 Description: The master customer Id of the solicitor for this order credit record.

Select equivalent: CASE WHEN FND\_CREDIT.SOLICITOR\_SUB\_CUST = 0 THEN FND\_CREDIT.SOLICITOR\_MAST\_CUST ELSE FND\_CREDIT.SOLICITOR\_MAST\_CUST + '-' + CONVERT(VARCHAR, FND\_CREDIT.SOLICITOR\_SUB\_CUST) END

Where equivalent:

Qualification: dimension  
 List of values: 29k, editable, manual refresh, not exportable

Security access level: 0  
 Can be used: in result, in condition, in sort  
 Object status: show

---

Object: Solicitor Master ID  
 Type: Character  
 Description: The master customer Id of the solicitor for this order credit record.

Select equivalent: FND\_CREDIT.SOLICITOR\_MAST\_CUST

Where equivalent:

Qualification: dimension  
 List of values: 29l, editable, manual refresh, not exportable  
 Security access level: 0  
 Can be used: in result, in condition, in sort  
 Object status: show

---

Object: Solicitor Sub ID  
 Type: Number  
 Description: The sub master customer Id of the solicitor for this order credit record.

Select equivalent: FND\_CREDIT.SOLICITOR\_SUB\_CUST

Where equivalent:

Qualification: dimension  
 List of values: 29m, editable, manual refresh, not exportable  
 Security access level: 0  
 Can be used: in result, in condition, in sort  
 Object status: show

---

Object: Soft Credit Donor ID  
 Type: Character  
 Description: The master customer Id of the customer who received soft credit for this order.

Select equivalent: CASE WHEN FND\_CREDIT.SUB\_CUSTOMER\_ID = 0 THEN FN

```
D_CREDIT.MASTER_CUSTOME
R_ID ELSE FND_CREDIT.MAS
TER_CUSTOMER_ID + '-' +
CONVERT(VARCHAR, FND_CRE
DIT.SUB_CUSTOMER_ID) END
```

Where equivalent:

Qualification: dimension  
 List of values: 29n, editable, manual refresh, not exportable  
 Security access level: 0  
 Can be used: in result, in condition, in sort  
 Object status: show

---

Object: Soft Credit Donor Master ID  
 Type: Character  
 Description: The master customer Id of the customer who received soft credit for this order.

Select equivalent: FND\_CREDIT.MASTER\_CUSTOMER\_ID

Where equivalent:

Qualification: dimension  
 List of values: 29o, editable, manual refresh, not exportable  
 Security access level: 0  
 Can be used: in result, in condition, in sort  
 Object status: show

---

Object: Soft Credit Donor Sub ID  
 Type: Number  
 Description: The sub customer Id of the customer who received soft credit for this order.

Select equivalent: FND\_CREDIT.SUB\_CUSTOMER\_ID

Where equivalent:

Qualification: dimension  
 List of values: 29p, editable, manual refresh, not exportable



Security access level: 0  
 Can be used: in result, in condition, in sort  
 Object status: show

Class:	Donor Recognition
Description:	

Object: Donor Master Customer ID  
 Type: Character  
 Description: The master customer Id of the customer with this recognition record.  
 Select equivalent: FND\_CUSTOMER\_RECOGNITION.MASTER\_CUSTOMER\_ID  
 Where equivalent:

Qualification: dimension  
 List of values: 2fj, editable, manual refresh, not exportable  
 Security access level: 0  
 Can be used: in result, in condition, in sort  
 Object status: show

---

Object: Donor Sub Customer ID  
 Type: Number  
 Description: The sub customer Id of the customer with this recognition record.  
 Select equivalent: FND\_CUSTOMER\_RECOGNITION.SUB\_CUSTOMER\_ID  
 Where equivalent:

Qualification: dimension  
 List of values: 2fk, editable, manual refresh, not exportable  
 Security access level: 0  
 Can be used: in result, in condition, in sort  
 Object status: show

---

Object: Recognition Structure  
 Type: Character  
 Description: The name of the recognition group for this customer's recognition record.  
 Select equivalent: FND\_CUSTOMER\_RECOGNITION.RECOGNITION\_STRUCTURE

Where equivalent:

Qualification: dimension  
 List of values: 2a3, editable, manual refresh, not exportable  
 Security access level: 0

Can be used: in result, in condition, in sort  
 Object status: show

---

Object: Recognition Structure Description  
 Type: Character  
 Description: The description text of the recognition group for this customer's recognition record.  
 Select equivalent: FND\_RECOGNITION\_STRUCTURE.DESCRPTION  
 Where equivalent:

Qualification: dimension  
 List of values: 2ff, editable, manual refresh, not exportable  
 Security access level: 0  
 Can be used: in result, in condition, in sort  
 Object status: show

---

Object: Donor Type  
 Type: Character  
 Description: The customer record type for this donor is Individual or Company.

Select equivalent: FND\_CUSTOMER\_RECOGNITION.CUSTOMER\_TYPE\_CODE

Where equivalent:

Qualification: dimension  
 List of values: 2a4, editable, manual refresh, not exportable  
 Security access level: 0  
 Can be used: in result, in condition, in sort  
 Object status: show

---

Object: Recognition Level  
 Type: Character  
 Description: The name associated with this amount range of giving. Examples are Gold, Silver, Platinum.

Select equivalent: FND\_CUSTOMER\_RECOGNITION.RECOGNITION\_LEVEL\_CODE

Where equivalent:

Qualification: dimension  
 List of values: 2a5, editable, manual refresh, not exportable  
 Security access level: 0  
 Can be used: in result, in condition, in sort  
 Object status: show

---

Object: Donation Amount  
 Type: Number  
 Description: The Donation Amount that earned this recognition level.  
  
 Select equivalent: FND\_CUSTOMER\_RECOGNITION.DONATION\_AMOUNT

Where equivalent:

Qualification: measure  
 Aggregate function: Sum  
 List of values: 2a6, editable, manual refresh, not exportable  
 Security access level: 0  
 Can be used: in result, in condition, in sort  
 Object status: show  
 Format: Number  
           Category = Currency  
           \$#,##0.00

---

Object: Award Date  
 Type: Date  
 Description: The date when this this recognition level was earned.  
  
 Select equivalent: FND\_CUSTOMER\_RECOGNITION.AWARD\_DATE

Where equivalent:

Qualification: dimension  
 List of values: 2a7, editable, manual refresh, not exportable  
 Security access level: 0  
 Can be used: in result, in condition, in sort  
 Object status: show

---

Object: Qualifying Months  
 Type: Number  
 Description: The number of months in t  
                   his recognition structure  
                   that determines the time f

rom the first donation to  
earn a recognition level.  
Select equivalent: FND\_RECOGNITION\_STRUCTURE.QUALIFYING\_MONTHS  
Where equivalent:

Qualification: dimension  
List of values: 2f9, editable, manual refresh, not exportable  
Security access level: 0  
Can be used: in result, in condition, in sort  
Object status: show

---

Object: Lifetime Flag  
Type: Character  
Description: This recognition structure will accumulate amounts perpetually.  
Select equivalent: FND\_RECOGNITION\_STRUCTURE.LIFETIME\_FLAG  
Where equivalent:

Qualification: dimension  
List of values: 2fa, editable, manual refresh, not exportable  
Security access level: 0  
Can be used: in result, in condition, in sort  
Object status: show

---

Object: Minimum Amount  
Type: Number  
Description: The minimum qualifying amount for this recognition level.  
Select equivalent: FND\_RECOGNITION\_LEVEL.MIN\_AMOUNT  
Where equivalent:

Qualification: dimension  
List of values: 2fb, editable, manual refresh, not exportable  
Security access level: 0  
Can be used: in result, in condition, in sort  
Object status: show

---

Object: Maximum Amount  
Type: Number  
Description: The maximum qualifying amount for this recognition level.  
Select equivalent: FND\_RECOGNITION\_LEVEL.MAX\_AMOUNT  
Where equivalent:

Qualification: dimension  
List of values: 2fc, editable, manual refresh, not exportable

---

Security access level: 0  
 Can be used: in result, in condition, in sort  
 Object status: show

Class:	Donor Profile Demographics
Description:	

Object: Donor Class Code  
 Type: Character  
 Description: A classification of donors can be Individual, Company or other.

Select equivalent: FND\_CUSTOMER.DONOR\_CLASS\_CODE

Where equivalent:

Qualification: dimension  
 List of values: 235, editable, manual refresh, not exportable  
 Security access level: 0  
 Can be used: in result, in condition, in sort  
 Object status: show

---

Object: Donor Yearly Giving Estimate  
 Type: Number  
 Description: An estimate assigned to a donor by staff of how much the donor will give in a year.

Select equivalent: FND\_CUSTOMER.YEARLY\_GIVING\_ESTIMATE

Where equivalent:

Qualification: dimension  
 List of values: 234, editable, manual refresh, not exportable  
 Security access level: 0  
 Can be used: in result, in condition, in sort  
 Object status: show

---

Object: Donor Income Range  
 Type: Character  
 Description: A code to represent a dollar range of the donor's income.

Select equivalent: FND\_CUSTOMER.INCOME\_RANGE\_CODE

## Where equivalent:

Qualification: dimension  
 List of values: 232, editable, manual refresh, not exportable  
 Security access level: 0  
 Can be used: in result, in condition, in sort  
 Object status: show

---

Object: Donor Income Source  
 Type: Character  
 Description: This code describes how the donor income information was obtained; i.e., survey, census, etc.

Select equivalent: FND\_CUSTOMER.INCOME\_SOURCE\_CODE

## Where equivalent:

Qualification: dimension  
 List of values: 233, editable, manual refresh, not exportable  
 Security access level: 0  
 Can be used: in result, in condition, in sort  
 Object status: show

---

Object: Donor Spouse Name  
 Type: Character  
 Description: The free text full name of the donor's spouse or partner.

Select equivalent: FND\_CUSTOMER.SPOUSE\_NAME

## Where equivalent:

Qualification: dimension  
 List of values: 236, editable, manual refresh, not exportable  
 Security access level: 0  
 Can be used: in result, in condition, in sort  
 Object status: show

---

Object: Donor Spouse Birthday  
 Type: Date  
 Description: The date for the spouse or partner's birthday.

---

Select equivalent: FND\_CUSTOMER.SPOUSE\_BIRTHDAY

Where equivalent:

Qualification: dimension  
 List of values: 237, editable, manual refresh, not exportable  
 Security access level: 0  
 Can be used: in result, in condition, in sort  
 Object status: show

---

Object: Donor Children Names  
 Type: Character  
 Description: Free text to enter children's names. Separate them with commas.

Select equivalent: FND\_CUSTOMER.CHILDREN\_NAMES

Where equivalent:

Qualification: dimension  
 List of values: 238, editable, manual refresh, not exportable  
 Security access level: 0  
 Can be used: in result, in condition, in sort  
 Object status: show

---

Object: Fund Matching Percentage  
 Type: Number  
 Description: The percent that will be used to compute the matched donation amount.

Select equivalent: FND\_CUSTOMER.FND\_MATCHING\_PERCENT

Where equivalent:

Qualification: dimension  
 List of values: 239, editable, manual refresh, not exportable  
 Security access level: 0  
 Can be used: in result, in condition, in sort  
 Object status: show

---

Object: Fund Matching Limit  
 Type: Number

---

Description: The maximum amount of all matched donations for the matching plan.

Select equivalent: FND\_CUSTOMER.FND\_MATCHING\_LIMIT

Where equivalent:

Qualification: dimension

List of values: 23a, editable, manual refresh, not exportable

Security access level: 0

Can be used: in result, in condition, in sort

Object status: show

---

Object: Yearly Matching Limit

Type: Number

Description: The Yearly Matching Limit for all matching plans.

Select equivalent: FND\_CUSTOMER.FND\_YEARLY\_MATCHING\_LIMIT

Where equivalent:

Qualification: dimension

List of values: 23b, editable, manual refresh, not exportable

Security access level: 0

Can be used: in result, in condition, in sort

Object status: show

---

Object: Is this Donor a Foundation?

Type: Character

Description: Flag to identify if the Donor is a Foundation found on the Donor Central, Confidential Info tab.

Select equivalent: FND\_CUSTOMER.FOUNDATION\_FLAG

Where equivalent:

Qualification: dimension

List of values: 23c, editable, manual refresh, not exportable

Security access level: 0

Can be used: in result, in condition, in sort

Object status: show

---



---

**Object:** Does this Donor Match Gifts?  
**Type:** Character  
**Description:** Flag to identify if the Donor has an active Matching Gifts Plan.  
  
**Select equivalent:** FND\_CUSTOMER.FND\_MATCHING\_FLAG  
  
**Where equivalent:**  
  
**Qualification:** dimension  
**List of values:** 23d, editable, manual refresh, not exportable  
**Security access level:** 0  
**Can be used:** in result, in condition, in sort  
**Object status:** show

<b>Class:</b> List Demographics <b>Description:</b>
--

**Object:** List Demographic Code  
**Type:** Character  
**Description:** The List Demographic Code maintained on the Customer Central screen. Codes from Type DEMOGRAPHIC.  
  
**Select equivalent:** CUS\_DEMOGRAPHIC\_CODE\_DESCR\_VW.DEMOGRAPHIC\_CODE  
  
**Where equivalent:**  
  
**Qualification:** dimension  
**List of values:** 2bf, editable, manual refresh, not exportable  
**Security access level:** 0  
**Can be used:** in result, in condition, in sort  
**Object status:** show

---

**Object:** List Demographic Description  
**Type:** Character  
**Description:** The List Demographic Description of the select Demographic Code.  
  
**Select equivalent:** CUS\_DEMOGRAPHIC\_CODE\_DESCR\_VW.DEMOGRAPHIC\_CODE\_DESCR

Where equivalent:

Qualification: dimension  
 List of values: 2bg, editable, manual refresh, not exportable  
 Security access level: 0  
 Can be used: in result, in condition, in sort  
 Object status: show

---

Object: List Demographic Subcode  
 Type: Character  
 Description: The List Demographic Subcode is from the Type DEMOGRAPHIC using the subcode btton. This filtered by the Demographic Code.  
 Select equivalent: CUS\_DEMOGRAPHIC\_CODE\_DESCR\_VW.DEMOGRAPHIC\_SUBCODE  
 Where equivalent:

Qualification: dimension  
 List of values: 2bh, editable, manual refresh, not exportable  
 Security access level: 0  
 Can be used: in result, in condition, in sort  
 Object status: show

---

Object: List Demographic Subcode Description  
 Type: Character  
 Description: The List Demographic Subcode Description is the text description of the Demographic Code.

Select equivalent: CUS\_DEMOGRAPHIC\_CODE\_DESCR\_VW.DEMOGRAPHIC\_SUBCODE\_DESCR

Where equivalent:

Qualification: dimension  
 List of values: 2bi, editable, manual refresh, not exportable  
 Security access level: 0  
 Can be used: in result, in condition, in sort  
 Object status: show

---

---

Object: List Demographic Begin Date  
Type: Date  
Description: The first date that the Demographic Code is effective for the customer.

Select equivalent: CUS\_DEMOGRAPHIC\_CODE\_DESCR\_VW.USER\_D1

Where equivalent:

Qualification: dimension  
List of values: 2bj, editable, manual refresh, not exportable  
Security access level: 0  
Can be used: in result, in condition, in sort  
Object status: show

---

Object: List Demographic End Date  
Type: Date  
Description: The last date that the Demographic Code is effective for the customer.

Select equivalent: CUS\_DEMOGRAPHIC\_CODE\_DESCR\_VW.USER\_D2

Where equivalent:

Qualification: dimension  
List of values: 2bk, editable, manual refresh, not exportable  
Security access level: 0  
Can be used: in result, in condition, in sort  
Object status: show

---

Object: List Demographic Number  
Type: Number  
Description: An optional number to describe the use of the Demographic code.

Select equivalent: CUS\_DEMOGRAPHIC\_CODE\_DESCR\_VW.USER\_N1

Where equivalent:

Qualification: dimension  
List of values: 2bl, editable, manual refresh, not exportable  
Security access level: 0  
Can be used: in result, in condition, in sort

---

Object status: show

Class:	Donor Name, Address and Communication
Description:	

Object: **Name**  
 Type: Character  
 Description: The Donor's label name (full name) for the bill-to customer in the order.

Select equivalent: ORDER\_MBR\_FND\_MTG\_CUS\_INFO\_VW.BILL\_LABEL\_NAME

Where equivalent:

Qualification: dimension  
 List of values: 23e, editable, manual refresh, not exportable  
 Security access level: 0  
 Can be used: in result, in condition, in sort  
 Object status: show

---

Object: **Name Prefix**  
 Type: Character  
 Description: The Donor's Name Prefix for the bill-to customer in the order.

Select equivalent: ORDER\_MBR\_FND\_MTG\_CUS\_INFO\_VW.BILL\_NAME\_PREFIX

Where equivalent:

Qualification: dimension  
 List of values: 23f, editable, manual refresh, not exportable  
 Security access level: 0  
 Can be used: in result, in condition, in sort  
 Object status: show

---

Object: **First Name**  
 Type: Character  
 Description: The Donor's First Name for the bill-to customer in the order.

Select equivalent: ORDER\_MBR\_FND\_MTG\_CUS\_INFO\_VW.BILL\_FIRST\_NAME

Where equivalent:

Qualification: dimension  
 List of values: 23g, editable, manual refresh, not exportable  
 Security access level: 0  
 Can be used: in result, in condition, in sort  
 Object status: show

---

**Object: Middle Name**  
 Type: Character  
 Description: The Donor's Middle Name for the bill-to customer in the order.

Select equivalent: ORDER\_MBR\_FND\_MTG\_CUS\_INFO\_VW.BILL\_MIDDLE\_NAME

Where equivalent:

Qualification: dimension  
 List of values: 23h, editable, manual refresh, not exportable  
 Security access level: 0  
 Can be used: in result, in condition, in sort  
 Object status: show

---

**Object: Last Name**  
 Type: Character  
 Description: The Donor's Last Name for the bill-to customer in the order.

Select equivalent: ORDER\_MBR\_FND\_MTG\_CUS\_INFO\_VW.BILL\_LAST\_NAME

Where equivalent:

Qualification: dimension  
 List of values: 23i, editable, manual refresh, not exportable  
 Security access level: 0  
 Can be used: in result, in condition, in sort  
 Object status: show

---

**Object: Name Suffix**  
 Type: Character  
 Description: The Donor's Suffix for the bill-to customer in the order.

Select equivalent: ORDER\_MBR\_FND\_MTG\_CUS\_INFO\_VW.BILL\_NAME\_SUFFIX

Where equivalent:

Qualification: dimension

List of values: 23j, editable, manual refresh, not exportable  
 Security access level: 0  
 Can be used: in result, in condition, in sort  
 Object status: show

---

Object: Full Address  
 Type: Character  
 Description: The Donor's Full Address  
 with name, address line 1,  
 address line 2, City, Sta  
 te and Postal Code.

Select equivalent: ORDER\_MBR\_FND\_MTG\_CUS\_I  
 NFO\_VW.BILL\_FORMATTED\_D  
 ETAIL + ORDER\_MBR\_FND\_M  
 TG\_CUS\_INFO\_VW.BILL\_FORM  
 ATTED\_ADDRESS

Where equivalent:

Qualification: dimension  
 List of values: 23l, editable, manual refresh, not exportable  
 Security access level: 0  
 Can be used: in result, in condition, in sort  
 Object status: show

---

Object: Address Type Code  
 Type: Character  
 Description: The Donor's Address Type  
 Code for the bill-to custo  
 mer in the order. Codes a  
 re like Home, Office.

Select equivalent: ORDER\_MBR\_FND\_MTG\_CUS\_I  
 NFO\_VW.BILL\_ADDRESS\_TYPE  
 \_CODE

Where equivalent:

Qualification: dimension  
 List of values: 23k, editable, manual refresh, not exportable  
 Security access level: 0  
 Can be used: in result, in condition, in sort  
 Object status: show

---

---

Object: **Company Name**  
 Type: Character  
 Description: The Donor's Company Name for the bill-to customer in the order.

Select equivalent: ORDER\_MBR\_FND\_MTG\_CUS\_INFO\_VW.BILL\_COMPANY\_NAME

Where equivalent:

Qualification: dimension  
 List of values: 23m, editable, manual refresh, not exportable  
 Security access level: 0  
 Can be used: in result, in condition, in sort  
 Object status: show

---

Object: **Attention Line**  
 Type: Character  
 Description: The Donor's Attention Line  
 in the address for the bi  
 ll-to customer in the orde  
 r.

Select equivalent: ORDER\_MBR\_FND\_MTG\_CUS\_INFO\_VW.BILL\_ATTENTION\_LINE

Where equivalent:

Qualification: dimension  
 List of values: 23n, editable, manual refresh, not exportable  
 Security access level: 0  
 Can be used: in result, in condition, in sort  
 Object status: show

---

Object: **Personal Line**  
 Type: Character  
 Description: This is the Donor's Person  
 al Line in the address for  
 the bill-to customer in t  
 he order.

Select equivalent: ORDER\_MBR\_FND\_MTG\_CUS\_INFO\_VW.BILL\_PERSONAL\_LINE

---

Where equivalent:

Qualification: dimension  
 List of values: 23o, editable, manual refresh, not exportable  
 Security access level: 0  
 Can be used: in result, in condition, in sort  
 Object status: show

---

Object: **Job Title**  
 Type: Character  
 Description: The Donor's Job Title in the address for the bill-to customer in the order.

Select equivalent: ORDER\_MBR\_FND\_MTG\_CUS\_INFO\_VW.BILL\_JOB\_TITLE

Where equivalent:

Qualification: dimension  
 List of values: 23p, editable, manual refresh, not exportable  
 Security access level: 0  
 Can be used: in result, in condition, in sort  
 Object status: show

---

Object: **Mail Stop**  
 Type: Character  
 Description: The Donor's Mail Stop in the order for the bill-to customer in the order.

Select equivalent: ORDER\_MBR\_FND\_MTG\_CUS\_INFO\_VW.BILL\_MAIL\_STOP

Where equivalent:

Qualification: dimension  
 List of values: 23q, editable, manual refresh, not exportable  
 Security access level: 0  
 Can be used: in result, in condition, in sort  
 Object status: show

---



---

Object: Address 1  
Type: Character  
Description: The first line of the address for the bill-to customer in the order.

Select equivalent: ORDER\_MBR\_FND\_MTG\_CUS\_INFO\_VW.BILL\_ADDRESS\_1

Where equivalent:

Qualification: dimension  
List of values: 23r, editable, manual refresh, not exportable  
Security access level: 0  
Can be used: in result, in condition, in sort  
Object status: show

---

Object: Address 2  
Type: Character  
Description: The second line of the address for the bill-to customer in the order.

Select equivalent: ORDER\_MBR\_FND\_MTG\_CUS\_INFO\_VW.BILL\_ADDRESS\_2

Where equivalent:

Qualification: dimension  
List of values: 23s, editable, manual refresh, not exportable  
Security access level: 0  
Can be used: in result, in condition, in sort  
Object status: show

---

Object: Address 3  
Type: Character  
Description: The third line of the address for the bill-to customer in the order.

Select equivalent: ORDER\_MBR\_FND\_MTG\_CUS\_INFO\_VW.BILL\_ADDRESS\_3

Where equivalent:

Qualification: dimension  
List of values: 23t, editable, manual refresh, not exportable  
Security access level: 0  
Can be used: in result, in condition, in sort  
Object status: show

---

---

**Object:** Address 4  
**Type:** Character  
**Description:** The fourth line of the address for the bill-to customer in the order.

**Select equivalent:** ORDER\_MBR\_FND\_MTG\_CUS\_INFO\_VW.BILL\_ADDRESS\_4

**Where equivalent:**

**Qualification:** dimension  
**List of values:** 23u, editable, manual refresh, not exportable  
**Security access level:** 0  
**Can be used:** in result, in condition, in sort  
**Object status:** show

---

**Object:** City  
**Type:** Character  
**Description:** The city of the address for the bill-to customer in the order.

**Select equivalent:** ORDER\_MBR\_FND\_MTG\_CUS\_INFO\_VW.BILL\_CITY

**Where equivalent:**

**Qualification:** dimension  
**List of values:** 23v, editable, manual refresh, not exportable  
**Security access level:** 0  
**Can be used:** in result, in condition, in sort  
**Object status:** show

---

**Object:** State  
**Type:** Character  
**Description:** The State of the address for the bill-to customer in the order.

**Select equivalent:** ORDER\_MBR\_FND\_MTG\_CUS\_INFO\_VW.BILL\_STATE

**Where equivalent:**

**Qualification:** dimension  
**List of values:** 23w, editable, manual refresh, not exportable  
**Security access level:** 0  
**Can be used:** in result, in condition, in sort  
**Object status:** show

---

---

Object: **Postal Code**  
Type: Character  
Description: The Donor's Postal Code of the address for the bill-to customer in the order.

Select equivalent: ORDER\_MBR\_FND\_MTG\_CUS\_INFO\_VW.BILL\_POSTAL\_CODE

Where equivalent:

Qualification: dimension  
List of values: 23x, editable, manual refresh, not exportable  
Security access level: 0  
Can be used: in result, in condition, in sort  
Object status: show

---

Object: **Country Code**  
Type: Character  
Description: The Country Code of the address for the bill-to customer in the order.

Select equivalent: ORDER\_MBR\_FND\_MTG\_CUS\_INFO\_VW.BILL\_COUNTRY\_CODE

Where equivalent:

Qualification: dimension  
List of values: 23y, editable, manual refresh, not exportable  
Security access level: 0  
Can be used: in result, in condition, in sort  
Object status: show

---

Object: **Country Description**  
Type: Character  
Description: The Country Code of the address for the bill-to customer in the order.

Select equivalent: ORDER\_MBR\_FND\_MTG\_CUS\_INFO\_VW.BILL\_COUNTRY\_DESCR

Where equivalent:

Qualification: dimension  
List of values: 240, editable, manual refresh, not exportable

---

---

Security access level: 0  
Can be used: in result, in condition, in sort  
Object status: show

---

Object: **Home Phone**  
Type: Character  
Description: The Donor's Home Phone for the bill-to customer in the order.

Select equivalent: ORDER\_MBR\_FND\_MTG\_CUS\_INFO\_VW.BILL\_HOME\_PHONE

Where equivalent:

Qualification: dimension  
List of values: 241, editable, manual refresh, not exportable  
Security access level: 0  
Can be used: in result, in condition, in sort  
Object status: show

---

Object: **Work Phone**  
Type: Character  
Description: The Donor's Work Phon for the bill-to customer in the order.

Select equivalent: ORDER\_MBR\_FND\_MTG\_CUS\_INFO\_VW.BILL\_WORK\_PHONE

Where equivalent:

Qualification: dimension  
List of values: 242, editable, manual refresh, not exportable  
Security access level: 0  
Can be used: in result, in condition, in sort  
Object status: show

---

Object: **Primary Phone**  
Type: Character  
Description: The Donor's Primary Phone for the bill-to customer in the order.

Select equivalent: ORDER\_MBR\_FND\_MTG\_CUS\_INFO\_VW.BILL\_PRIMARY\_PHONE

Where equivalent:

Qualification: dimension  
List of values: 243, editable, manual refresh, not exportable  
Security access level: 0

---

Can be used: in result, in condition, in sort  
 Object status: show

---

Object: **Primary Fax**  
 Type: Character  
 Description: The Donor's Primary Fax for the bill-to customer in the order.

Select equivalent: ORDER\_MBR\_FND\_MTG\_CUS\_INFO\_VW.BILL\_PRIMARY\_FAX

Where equivalent:

Qualification: dimension  
 List of values: 244, editable, manual refresh, not exportable  
 Security access level: 0  
 Can be used: in result, in condition, in sort  
 Object status: show

---

Object: **Primary Email Address**  
 Type: Character  
 Description: The Donor's Primary Email  
 Address for the bill-to c  
 ustomer in the order.

Select equivalent: ORDER\_MBR\_FND\_MTG\_CUS\_I  
 NFO\_VW.BILL\_PRIMARY\_EMAI  
 L\_ADDRESS

Where equivalent:

Qualification: dimension  
 List of values: 245, editable, manual refresh, not exportable  
 Security access level: 0  
 Can be used: in result, in condition, in sort  
 Object status: show

---

Object: **Primary URL**  
 Type: Character  
 Description: The Donor's Primary UR for the bill-to customer in the order.

Select equivalent: ORDER\_MBR\_FND\_MTG\_CUS\_INFO\_VW.PRIMARY\_URL

Where equivalent:

Qualification: dimension  
 List of values: 246, editable, manual refresh, not exportable  
 Security access level: 0  
 Can be used: in result, in condition, in sort  
 Object status: show

---

Object: Primary Phone Location Code  
 Type: Character  
 Description: The Donor's Primary Phone  
 Location Code for the bil  
 l-to customer in the order  
 .

Select equivalent: ORDER\_MBR\_FND\_MTG\_CUS\_I  
 NFO\_VW.PRIMARY\_PHONE\_LO  
 CATION\_CODE

Where equivalent:

Qualification: dimension  
 List of values: 247, editable, manual refresh, not exportable  
 Security access level: 0  
 Can be used: in result, in condition, in sort  
 Object status: show

---

Object: Primary Email Location Code  
 Type: Character  
 Description: The Donor's Primary Email  
 Location Code for the bil  
 l-to customer in the order  
 .

Select equivalent: ORDER\_MBR\_FND\_MTG\_CUS\_I  
 NFO\_VW.PRIMARY\_EMAIL\_LO  
 CATION\_CODE

Where equivalent:

Qualification: dimension  
 List of values: 248, editable, manual refresh, not exportable  
 Security access level: 0  
 Can be used: in result, in condition, in sort  
 Object status: show

---

---

Object: Primary Fax Location Code  
 Type: Character  
 Description: The Donor's Primary Fax Location Code for the bill-to customer in the order.

Select equivalent: ORDER\_MBR\_FND\_MTG\_CUS\_I  
 NFO\_VW.PRIMARY\_FAX\_LOCATION\_CODE

Where equivalent:

Qualification: dimension  
 List of values: 249, editable, manual refresh, not exportable  
 Security access level: 0  
 Can be used: in result, in condition, in sort  
 Object status: show

---

Object: Preferred Communication Method  
 Type: Character  
 Description: The Donor's Preferred Communication Method for the bill-to customer in the order.

Select equivalent: ORDER\_MBR\_FND\_MTG\_CUS\_I  
 NFO\_VW.PREFERRED\_COMMUNICATION\_CODE

Where equivalent:

Qualification: dimension  
 List of values: 24a, editable, manual refresh, not exportable  
 Security access level: 0  
 Can be used: in result, in condition, in sort  
 Object status: show

Class:	Donor Demographics
Description:	

Object: Donor Class Code  
 Type: Character  
 Description: The Customer Class Code for the bill-to customer in the order.

---

Select equivalent: ORDER\_MBR\_FND\_MTG\_CUS\_I  
NFO\_VW.BILL\_CUSTOMER\_CL  
ASS\_CODE

Where equivalent:

Qualification: dimension  
List of values: 24b, editable, manual refresh, not exportable  
Security access level: 0  
Can be used: in result, in condition, in sort  
Object status: show

---

Object: Donor Status Code  
Type: Character  
Description: The Customer Status Code for the bill-to customer in the order.

Select equivalent: ORDER\_MBR\_FND\_MTG\_CUS\_I  
NFO\_VW.BILL\_CUSTOMER\_ST  
ATUS\_CODE

Where equivalent:

Qualification: dimension  
List of values: 24c, editable, manual refresh, not exportable  
Security access level: 0  
Can be used: in result, in condition, in sort  
Object status: show

---

Object: Ethnicity Code  
Type: Character  
Description: The Ethnicity Code for the bill-to customer in the order.

Select equivalent: ORDER\_MBR\_FND\_MTG\_CUS\_INFO\_VW.ETHNICITY\_CODE

Where equivalent:

Qualification: dimension  
List of values: 24d, editable, manual refresh, not exportable  
Security access level: 0  
Can be used: in result, in condition, in sort  
Object status: show

---



---

Object: **Gender Code**  
Type: Character  
Description: The Gender Code for the bill-to customer in the order.

Select equivalent: ORDER\_MBR\_FND\_MTG\_CUS\_INFO\_VW.GENDER\_CODE

Where equivalent:

Qualification: dimension  
List of values: 24e, editable, manual refresh, not exportable  
Security access level: 0  
Can be used: in result, in condition, in sort  
Object status: show

---

Object: **Job Function**  
Type: Character  
Description: The Job Function code for the bill-to customer in the order.

Select equivalent: ORDER\_MBR\_FND\_MTG\_CUS\_INFO\_VW.JOB\_FUNCTION\_CODE

Where equivalent:

Qualification: dimension  
List of values: 24f, editable, manual refresh, not exportable  
Security access level: 0  
Can be used: in result, in condition, in sort  
Object status: show

---

Object: **Birth Date**  
Type: Date  
Description: The Birth Date for the bill-to customer in the order.

Select equivalent: ORDER\_MBR\_FND\_MTG\_CUS\_INFO\_VW.BIRTH\_DATE

Where equivalent:

Qualification: dimension  
List of values: 24g, editable, manual refresh, not exportable  
Security access level: 0  
Can be used: in result, in condition, in sort  
Object status: show

---

Object: **Age**

---

Type: Number

Description: The computed Age for the bill-to customer in the order, if there is a birthdate else null.

Select equivalent: 

```
CASE WHEN ORDER_MBR_FND
_MTG_CUS_INFO_VW.BIRTH_
DATE IS NULL THEN 0 ELSE(
DATEDIFF
(
YEAR,
ORDER_MBR_FND_MTG_CUS_INFO_VW.BIRTH_DATE,
getdate()
) - CASE
WHEN 100 * MONTH(getdate()) + DAY(getdate())
< 100 * MONTH(ORDER_MBR
_FND_MTG_CUS_INFO_VW.BI
RTH_DATE) + DAY(ORDER_MB
R_FND_MTG_CUS_INFO_VW.B
IRTH_DATE)
THEN 1 ELSE 0 END ) end
```

Where equivalent:

Qualification: dimension

List of values: 24h, editable, manual refresh, not exportable

Security access level: 0

Can be used: in result, in condition, in sort

Object status: show

Class:	Donor Current Membership Info
Description:	

Object: Donor Member Type

Type: Character

Description: The Level2 code from the customers current national membership. This data is from CUS\_CURRENT\_MEMBERSHIP\_INFO table that depends on the MBR900 TRS process.

Select equivalent: CUS\_CURRENT\_MEMBERSHIP\_INFO.NATIONAL\_LEVEL2

Where equivalent:

Qualification: dimension  
 List of values: 24j, editable, manual refresh, not exportable  
 Security access level: 0  
 Can be used: in result, in condition, in sort  
 Object status: show

---

Object: Donor Membership Begin Date  
 Type: Date  
 Description: The Membership Begin Date from the customers current national membership. This data is from CUS\_CURRENT\_MEMBERSHIP\_INFO table that depends on the MBR90 TRS process.

Select equivalent: CUS\_CURRENT\_MEMBERSHIP\_INFO.CYCLE\_BEGIN\_DATE

Where equivalent:

Qualification: dimension  
 List of values: 24k, editable, manual refresh, not exportable  
 Security access level: 0  
 Can be used: in result, in condition, in sort  
 Object status: show

---

Object: Donor Membership End Date  
 Type: Date  
 Description: The membership end date from the customers current national membership. This data is from CUS\_CURRENT\_MEMBERSHIP\_INFO table that depends on the MBR90 TRS process.

Select equivalent: CUS\_CURRENT\_MEMBERSHIP\_INFO.CYCLE\_END\_DATE

Where equivalent:

Qualification: dimension  
 List of values: 24l, editable, manual refresh, not exportable

---

Security access level: 0  
 Can be used: in result, in condition, in sort  
 Object status: show

---

Object: Donor Membership Grace Date  
 Type: Date  
 Description: The Grace Date from the c  
 ustomers current national  
 membership. This data is  
 from CUS\_CURRENT\_MEMBER  
 SHIP\_INFO table that depe  
 nds on the MBR900 TRS pro  
 cess.

Select equivalent: CUS\_CURRENT\_MEMBERSHIP\_INFO.GRACE\_DATE

Where equivalent:

Qualification: dimension  
 List of values: 24m, editable, manual refresh, not exportable  
 Security access level: 0  
 Can be used: in result, in condition, in sort  
 Object status: show

---

Object: Donor Membership Description  
 Type: Character  
 Description: The Donor's Membership De  
 scription from the custome  
 rs current national membe  
 rship. This data is from  
 CUS\_CURRENT\_MEMBERSHIP\_  
 INFO table that depends o  
 n the MBR900 TRS process.

Select equivalent: CUS\_CURRENT\_MEMBERSHIP\_INFO.NATIONAL\_DESCR

Where equivalent:

Qualification: dimension  
 List of values: 24n, editable, manual refresh, not exportable  
 Security access level: 0  
 Can be used: in result, in condition, in sort  
 Object status: show

---

---

**Object:** Donor Member Since Date  
**Type:** Date  
**Description:** The Donor's Membership or original start date from the customers current national membership. This data is from CUS\_CURRENT\_MEMBERSHIP\_INFO table that depends on the MBR900 TRS process.

**Select equivalent:** CUS\_CURRENT\_MEMBERSHIP\_INFO.NATIONAL\_SINCE\_DATE

**Where equivalent:**

**Qualification:** dimension  
**List of values:** 24o, editable, manual refresh, not exportable  
**Security access level:** 0  
**Can be used:** in result, in condition, in sort  
**Object status:** show

---

**Object:** Donor Chapter 1  
**Type:** Character  
**Description:** The Donor's first Chapter Description from the customers current national membership. This data is from CUS\_CURRENT\_MEMBERSHIP\_INFO table that depends on the MBR900 TRS process.

**Select equivalent:** CUS\_CURRENT\_MEMBERSHIP\_INFO.CHAPTER\_DESCR

**Where equivalent:**

**Qualification:** dimension  
**List of values:** 24p, editable, manual refresh, not exportable  
**Security access level:** 0  
**Can be used:** in result, in condition, in sort  
**Object status:** show

---

**Object:** Donor Chapter 2

---

---

Type: Character  
 Description: The Donor's second Chapter Description from the customers current national membership. This data is from CUS\_CURRENT\_MEMBERSHIP\_INFO table that depends on the MBR900 TRS process.

Select equivalent: CUS\_CURRENT\_MEMBERSHIP\_INFO.CHAPTER2\_DESCR

Where equivalent:

Qualification: dimension  
 List of values: 24q, editable, manual refresh, not exportable  
 Security access level: 0  
 Can be used: in result, in condition, in sort  
 Object status: show

---

Object: Donor Section 1  
 Type: Character  
 Description: The Donor's first Section (SIG) Description from the customers current national membership. This data is from CUS\_CURRENT\_MEMBERSHIP\_INFO table that depends on the MBR900 TRS process.

Select equivalent: CUS\_CURRENT\_MEMBERSHIP\_INFO.SECTION\_DESCR

Where equivalent:

Qualification: dimension  
 List of values: 24r, editable, manual refresh, not exportable  
 Security access level: 0  
 Can be used: in result, in condition, in sort  
 Object status: show

---

Object: Donor Section 2  
 Type: Character  
 Description: The Donor's second Section

---

n (SIG) Description from the customers current national membership. This data is from CUS\_CURRENT\_MEMBERSHIP\_INFO table that depends on the MBR900 TRS process.

Select equivalent: CUS\_CURRENT\_MEMBERSHIP\_INFO.SECTION2\_DESCR

Where equivalent:

Qualification: dimension  
 List of values: 24s, editable, manual refresh, not exportable  
 Security access level: 0  
 Can be used: in result, in condition, in sort  
 Object status: show

Class:	Donor Primary Employer Info
Description:	

Object: Employer Full Name  
 Type: Character  
 Description: The Donor Primary Employer's Full Name is based on a relationship to the donor's company.

Select equivalent: Cus\_Relationship\_Related\_Cus\_Info\_VW.RELATED\_CUS\_LABEL\_NAME

Where equivalent:

Qualification: dimension  
 List of values: 24t, editable, manual refresh, not exportable  
 Security access level: 0  
 Can be used: in result, in condition, in sort  
 Object status: show

---

Object: Employer Last First Name  
 Type: Character  
 Description: The Donor Primary Employer Last First Name is based

on a relationship to the donor's company.

Select equivalent: Cus\_Relationship\_Related\_Cus\_Info\_VW.RELATED\_CUS\_LAST\_FIRST\_NAME

Where equivalent:

Qualification: dimension  
 List of values: 24u, editable, manual refresh, not exportable  
 Security access level: 0  
 Can be used: in result, in condition, in sort  
 Object status: show

---

Object: Employer Search Name  
 Type: Character  
 Description: The Donor Primary Employer's Search Name is based on a relationship to the donor's company.

Select equivalent: Cus\_Relationship\_Related\_Cus\_Info\_VW.RELATED\_CUS\_SEARCH\_NAME

Where equivalent:

Qualification: dimension  
 List of values: 24v, editable, manual refresh, not exportable  
 Security access level: 0  
 Can be used: in result, in condition, in sort  
 Object status: show

---

Object: Employer Code  
 Type: Character  
 Description: The Donor's Primary Employer Relationship Code is based on a relationship to the donor's company.

Select equivalent: Cus\_Relationship\_Related\_Cus\_Info\_VW.RELATIONSHIP\_CODE

Where equivalent:



Qualification: dimension  
 List of values: 24w, editable, manual refresh, not exportable  
 Security access level: 0  
 Can be used: in result, in condition, in sort  
 Object status: show

---

Object: Employment Reciprocal Code  
 Type: Character  
 Description: The Donor's Primary Employment Reciprocal Code is based on a relationship to the donor's company. It's code describes the kind of relationship to the company such as employee, manager, CFO, etc.

Select equivalent: Cus\_Relationship\_Related\_Cus\_Info\_VW.RECIPROCAL\_CODE

Where equivalent:

Qualification: dimension  
 List of values: 24x, editable, manual refresh, not exportable  
 Security access level: 0  
 Can be used: in result, in condition, in sort  
 Object status: show

---

Object: Employment Begin Date  
 Type: Date  
 Description: The Donor's relationship effective date to a company is based on a relationship to the donor's company.

Select equivalent: Cus\_Relationship\_Related\_Cus\_Info\_VW.BEGIN\_DATE

Where equivalent:

Qualification: dimension  
 List of values: 24y, editable, manual refresh, not exportable  
 Security access level: 0  
 Can be used: in result, in condition, in sort  
 Object status: show

---

---

**Object:** Employment End Date  
**Type:** Date  
**Description:** The Donor's relationship end date to a company is based on a relationship to the donor's company.

**Select equivalent:** Cus\_Relationship\_Related\_Cus\_Info\_VW.END\_DATE

**Where equivalent:**

**Qualification:** dimension  
**List of values:** 250, editable, manual refresh, not exportable  
**Security access level:** 0  
**Can be used:** in result, in condition, in sort  
**Object status:** show

---

**Object:** Is this full time Employment?  
**Type:** Character  
**Description:** A flag to identify if this is full time employment with the related company.

**Select equivalent:** Cus\_Relationship\_Related\_Cus\_Info\_VW.Full\_Time\_Flag

**Where equivalent:**

**Qualification:** dimension  
**List of values:** 251, editable, manual refresh, not exportable  
**Security access level:** 0  
**Can be used:** in result, in condition, in sort  
**Object status:** show

---

**Object:** Supervisor Name  
**Type:** Character  
**Description:** The Donor's Primary Supervisor Name is based on a relationship to the donor's company.

**Select equivalent:** Cus\_Relationship\_Related\_Cus\_Info\_VW.Supervisor\_Name

## Where equivalent:

Qualification: dimension  
 List of values: 252, editable, manual refresh, not exportable  
 Security access level: 0  
 Can be used: in result, in condition, in sort  
 Object status: show

---

Object: **Employer Class Code**  
 Type: Character  
 Description: The company customer class code of the company is based on a relationship to the donor's company.

Select equivalent: Cus\_Relationship\_Related\_Cus\_Info\_VW.Related\_Customer\_Class\_Code

## Where equivalent:

Qualification: dimension  
 List of values: 253, editable, manual refresh, not exportable  
 Security access level: 0  
 Can be used: in result, in condition, in sort  
 Object status: show

---

Object: **Record Type**  
 Type: Character  
 Description: The related customer Record Type is based on a relationship to the Donor. Values can be I, C, S or T.

Select equivalent: Cus\_Relationship\_Related\_Cus\_Info\_VW.Related\_Cus\_Record\_Type

## Where equivalent:

Qualification: dimension  
 List of values: 254, editable, manual refresh, not exportable  
 Security access level: 0  
 Can be used: in result, in condition, in sort  
 Object status: show

---

---

**Object:** Primary Employer Matching Percentage  
**Type:** Number  
**Description:** The related customer's Matching Percentage is based on a relationship to the donor.

**Select equivalent:** Cus\_Relationship\_Related\_Cus\_Info\_VW.RELATED\_CUS\_FND\_MATCHING\_PERCENT

**Where equivalent:**

**Qualification:** dimension  
**List of values:** 255, editable, manual refresh, not exportable  
**Security access level:** 0  
**Can be used:** in result, in condition, in sort  
**Object status:** show

---

**Object:** Primary Employer Matching Limit  
**Type:** Number  
**Description:** The related customer's Matching Limit is based on a relationship to the donor.

**Select equivalent:** Cus\_Relationship\_Related\_Cus\_Info\_VW.RELATED\_CUS\_FND\_MATCHING\_LIMIT

**Where equivalent:**

**Qualification:** dimension  
**List of values:** 256, editable, manual refresh, not exportable  
**Security access level:** 0  
**Can be used:** in result, in condition, in sort  
**Object status:** show

---

**Object:** Employer ID  
**Type:** Character  
**Description:** The related customer's Master Customer ID is based on a relationship to the donor.

---

Select equivalent: Cus\_Relationship\_Related\_  
Cus\_Info\_VW.RELATED\_CUS\_  
CusMastSubID

Where equivalent:

Qualification: dimension  
List of values: 257, editable, manual refresh, not exportable  
Security access level: 0  
Can be used: in result, in condition, in sort  
Object status: show

---

Object: Employer Master ID  
Type: Character  
Description: The related customer's Ma  
ster Customer ID is based  
on a relationship to the d  
onor.

Select equivalent: Cus\_Relationship\_Related\_  
Cus\_Info\_VW.RELATED\_MAST  
ER\_CUSTOMER\_ID

Where equivalent:

Qualification: dimension  
List of values: 258, editable, manual refresh, not exportable  
Security access level: 0  
Can be used: in result, in condition, in sort  
Object status: show

---

Object: Employer Sub ID  
Type: Number  
Description: The related customer's Ma  
ster Sub Customer ID is ba  
sed on a relationship to t  
he donor.

Select equivalent: Cus\_Relationship\_Related\_  
Cus\_Info\_VW.RELATED\_SUB\_  
CUSTOMER\_ID

Where equivalent:

Qualification: dimension  
 List of values: 259, editable, manual refresh, not exportable  
 Security access level: 0  
 Can be used: in result, in condition, in sort  
 Object status: show

---

Object: Is this the Primary Employer?  
 Type: Character  
 Description: Flag to identify the Primary Employer is based on a relationship to the donor.

Select equivalent: Cus\_Relationship\_Related\_Cus\_Info\_VW.Primary\_Employer\_Flag

Where equivalent:

Qualification: dimension  
 List of values: 25a, editable, manual refresh, not exportable  
 Security access level: 0  
 Can be used: in result, in condition, in sort  
 Object status: show

---

Object: Is the Primary Employer a Foundation?  
 Type: Character  
 Description: Flag to identify if the Primary Employer is a Foundation is based on a relationship to the donor.

Select equivalent: Cus\_Relationship\_Related\_Cus\_Info\_VW.Related\_Cus\_Foundation\_Flag

Where equivalent:

Qualification: dimension  
 List of values: 25b, editable, manual refresh, not exportable  
 Security access level: 0  
 Can be used: in result, in condition, in sort  
 Object status: show

---

---

**Object:** Does the Primary Employer Match Donation?  
**Type:** Character  
**Description:** Flag to identify if the Primary Employer will Match Donations is based on a relationship to the donor.  
  
**Select equivalent:** Cus\_Relationship\_Related\_Cus\_Info\_VW.Related\_Cus\_Fnd\_Matching\_Flag  
  
**Where equivalent:**  
  
**Qualification:** dimension  
**List of values:** 25c, editable, manual refresh, not exportable  
**Security access level:** 0  
**Can be used:** in result, in condition, in sort  
**Object status:** show

<b>Class:</b> Donor Corporate Relationship Info <b>Description:</b>
--

**Object:** Subsidiary Full Name  
**Type:** Character  
**Description:** The Subsidiary Full Name is based on a relationship to the donor's company relationship.  
  
**Select equivalent:** Cus\_Relationship\_Subsiary\_Info\_VW.RELATED\_CUS\_LABEL\_NAME  
  
**Where equivalent:**  
  
**Qualification:** dimension  
**List of values:** 2bm, editable, manual refresh, not exportable  
**Security access level:** 0  
**Can be used:** in result, in condition, in sort  
**Object status:** show

---

**Object:** Relationship Code  
**Type:** Character  
**Description:** The Donor Corporate Relationship Code is based on a

relationship to the donor'  
s company relationship.

Select equivalent: Cus\_Relationship\_Subsiary\_Info\_VW.RELATIONSHIP\_CODE

Where equivalent:

Qualification: dimension  
List of values: 2bn, editable, manual refresh, not exportable  
Security access level: 0  
Can be used: in result, in condition, in sort  
Object status: show

---

Object: **Reciprocal Code**  
Type: Character  
Description: The Donor Corporate Reciprocal Code is based on the donation order bill-to customer as the Parent or Subsidiary of a Corporate relationship.

Select equivalent: Cus\_Relationship\_Subsiary\_Info\_VW.RECIPROCAL\_CODE

Where equivalent:

Qualification: dimension  
List of values: 2bo, editable, manual refresh, not exportable  
Security access level: 0  
Can be used: in result, in condition, in sort  
Object status: show

---

Object: **Relationship Begin Date**  
Type: Date  
Description: The Begin Date of a Corporate relationship is based on the donation order bill-to customer as the Parent or Subsidiary of a Corporate relationship.

Select equivalent: Cus\_Relationship\_Subsiary\_Info\_VW.BEGIN\_DATE



Where equivalent:

Qualification: dimension  
 List of values: 2bp, editable, manual refresh, not exportable  
 Security access level: 0  
 Can be used: in result, in condition, in sort  
 Object status: show

---

Object: Relationship End Date  
 Type: Date  
 Description: The last date of a Corporate relationship is based on the donation order bill-to customer as the Parent or Subsidiary of a Corporate relationship.

Select equivalent: Cus\_Relationship\_Subsiary\_Info\_VW.END\_DATE

Where equivalent:

Qualification: dimension  
 List of values: 2bq, editable, manual refresh, not exportable  
 Security access level: 0  
 Can be used: in result, in condition, in sort  
 Object status: show

---

Object: Customer Class Code  
 Type: Character  
 Description: The Corporate Customer Class Code is based on the donation order bill-to customer as the Parent or Subsidiary of a Corporate relationship.

Select equivalent: Cus\_Relationship\_Subsiary\_Info\_VW.Related\_Cus\_Customer\_Class\_Code

Where equivalent:

Qualification: dimension

List of values: 2br, editable, manual refresh, not exportable  
 Security access level: 0  
 Can be used: in result, in condition, in sort  
 Object status: show

---

Object: **Record Type**  
 Type: Character  
 Description: The Corporte Record Type is based on the donation order bill-to customer as the Parent or Subsdiary of a Corporate relationship and should be "C".

Select equivalent: Cus\_Relationship\_Subsiary\_Info\_VW.Related\_Cus\_Record\_Type

Where equivalent:

Qualification: dimension  
 List of values: 2bs, editable, manual refresh, not exportable  
 Security access level: 0  
 Can be used: in result, in condition, in sort  
 Object status: show

---

Object: **Subsidiary Matching Percentage**  
 Type: Number  
 Description: Subsidiary Matching Percentage is the percent applied to a donation to get the matched amount. It will exist if the donation order bill-to customer has a Subsdiary of a Corporate relationship.

Select equivalent: Cus\_Relationship\_Subsiary\_Info\_VW.RELATED\_CUS\_FUND\_MATCHING\_PERCENT

Where equivalent:

Qualification: dimension  
 List of values: 2bt, editable, manual refresh, not exportable  
 Security access level: 0  
 Can be used: in result, in condition, in sort

---

Object status: show

---

Object: Subsidiary Matching Limit  
 Type: Number

Description: The Subsidiary Matching Limit is the max amount matched from a donation. It will exist if the donation order bill-to customer has a Subsidiary of a Corporate relationship.

Select equivalent: Cus\_Relationship\_Subsidary\_Info\_VW.RELATED\_CUS\_F  
 ND\_MATCHING\_LIMIT

Where equivalent:

Qualification: dimension

List of values: 2bu, editable, manual refresh, not exportable

Security access level: 0

Can be used: in result, in condition, in sort

Object status: show

---

Object: Subsidiary Customer ID  
 Type: Character

Description: The Master Customer ID will exist if the donation order bill-to customer has a Subsidiary of a Corporate relationship.

Select equivalent: Cus\_Relationship\_Subsidary\_Info\_VW.RELATED\_CUS\_CusMastSubID

Where equivalent:

Qualification: dimension

List of values: 2bv, editable, manual refresh, not exportable

Security access level: 0

Can be used: in result, in condition, in sort

Object status: show

---

Object: Subsidiary Master Customer ID  
 Type: Character

---

---

Description: The Master Customer ID will exist if the donation order bill-to customer has a Subsidiary of a Corporate relationship.

Select equivalent: Cus\_Relationship\_Subsidary\_Info\_VW.RELATED\_MASTER\_CUSTOMER\_ID

Where equivalent:

Qualification: dimension  
 List of values: 2bw, editable, manual refresh, not exportable  
 Security access level: 0  
 Can be used: in result, in condition, in sort  
 Object status: show

---

Object: Subsidiary Sub Customer ID  
 Type: Number  
 Description: The Sub Customer ID will exist if the donation order bill-to customer has a Subsidiary of a Corporate relationship.

Select equivalent: Cus\_Relationship\_Subsidary\_Info\_VW.RELATED\_SUB\_CUSTOMER\_ID

Where equivalent:

Qualification: dimension  
 List of values: 2bx, editable, manual refresh, not exportable  
 Security access level: 0  
 Can be used: in result, in condition, in sort  
 Object status: show

---

Object: Is the Subsidiary a Foundation?  
 Type: Character  
 Description: Flag to identify if the Subsidiary is a Foundation and will exist if the donation order bill-to customer

---

has a Subsidiary of a Corporate relationship.

Select equivalent: Cus\_Relationship\_Subsiary\_Info\_VW.Related\_Cus\_Foundation\_Flag

Where equivalent:

Qualification: dimension  
 List of values: 2by, editable, manual refresh, not exportable  
 Security access level: 0  
 Can be used: in result, in condition, in sort  
 Object status: show

---

Object: Does the Subsidiary Match Donation?  
 Type: Character  
 Description: Flag to identify if the Subsidiary has Match Donation Plan and will exist if the donation order bill-to customer has a Subsidiary of a Corporate relationship.

Select equivalent: Cus\_Relationship\_Subsiary\_Info\_VW.Related\_Cus\_Fnd\_Matching\_Flag

Where equivalent:

Qualification: dimension  
 List of values: 2c0, editable, manual refresh, not exportable  
 Security access level: 0  
 Can be used: in result, in condition, in sort  
 Object status: show

Class:	Donor All Relationships Info
Description:	

Object: Relation Full Name  
 Type: Character  
 Description: The related customer's Full Name will exist if the donation order bill-to customer has any relationship.

Select equivalent: Cus\_Relationship\_All\_Relation\_Info\_VW.RELATED\_CUSTOMER\_LABEL\_NAME

Where equivalent:

Qualification: dimension  
 List of values: 29q, editable, manual refresh, not exportable  
 Security access level: 0  
 Can be used: in result, in condition, in sort  
 Object status: show

---

Object: Relation Last First Name  
 Type: Character  
 Description: The related customer's last, first name will exist if the donation order bill-to customer has any relationship.

Select equivalent: Cus\_Relationship\_All\_Relation\_Info\_VW.RELATED\_CUSTOMER\_LAST\_FIRST\_NAME

Where equivalent:

Qualification: dimension  
 List of values: 29r, editable, manual refresh, not exportable  
 Security access level: 0  
 Can be used: in result, in condition, in sort  
 Object status: show

---

Object: Relation Search Name  
 Type: Character  
 Description: The related customer's Search Name will exist if the donation order bill-to customer has any relationship.

Select equivalent: Cus\_Relationship\_All\_Relation\_Info\_VW.RELATED\_CUSTOMER\_SEARCH\_NAME

Where equivalent:

Qualification: dimension  
 List of values: 29s, editable, manual refresh, not exportable  
 Security access level: 0  
 Can be used: in result, in condition, in sort  
 Object status: show

---

Object: **Relationship Type**  
 Type: Character  
 Description: The donor customer's relationship type will exist if the donation order bill-to customer has any relationship.

Select equivalent: Cus\_Relationship\_All\_Relation\_Info\_VW.RELATIONSHIP\_TYPE

Where equivalent:

Qualification: dimension  
 List of values: 2da, editable, manual refresh, not exportable  
 Security access level: 0  
 Can be used: in result, in condition, in sort  
 Object status: show

---

Object: **Relationship Code**  
 Type: Character  
 Description: The donor customer's relationship code will exist if the donation order bill-to customer has any relationship.

Select equivalent: Cus\_Relationship\_All\_Relation\_Info\_VW.RELATIONSHIP\_CODE

Where equivalent:

Qualification: dimension  
 List of values: 29t, editable, manual refresh, not exportable  
 Security access level: 0  
 Can be used: in result, in condition, in sort  
 Object status: show

---

---

**Object:** Reciprocal Code  
**Type:** Character  
**Description:** The donor customer's relationship reciprocal code will exist if the donation order bill-to customer has any relationship.

**Select equivalent:** Cus\_Relationship\_All\_Relation\_Info\_VW.RECIPROCAL\_CODE

**Where equivalent:**

**Qualification:** dimension  
**List of values:** 29u, editable, manual refresh, not exportable  
**Security access level:** 0  
**Can be used:** in result, in condition, in sort  
**Object status:** show

---

**Object:** Begin Date  
**Type:** Date  
**Description:** The donor relationship start date will exist if the donation order bill-to customer has any relationship.

**Select equivalent:** Cus\_Relationship\_All\_Relation\_Info\_VW.BEGIN\_DATE

**Where equivalent:**

**Qualification:** dimension  
**List of values:** 29v, editable, manual refresh, not exportable  
**Security access level:** 0  
**Can be used:** in result, in condition, in sort  
**Object status:** show

---

**Object:** End Date  
**Type:** Date  
**Description:** The donor relationship last date will exist if the donation order bill-to customer has any relationship.



Select equivalent: Cus\_Relationship\_All\_Relation\_Info\_VW.END\_DATE

Where equivalent:

Qualification: dimension  
 List of values: 29w, editable, manual refresh, not exportable  
 Security access level: 0  
 Can be used: in result, in condition, in sort  
 Object status: show

---

Object: Relation Class Code

Type: Character

Description: The donor relationship related customer's customer class will exist if the donation order bill-to customer has any relationship.

Select equivalent: Cus\_Relationship\_All\_Relation\_Info\_VW.Related\_Customer\_Class\_Code

Where equivalent:

Qualification: dimension  
 List of values: 29x, editable, manual refresh, not exportable  
 Security access level: 0  
 Can be used: in result, in condition, in sort  
 Object status: show

---

Object: Related Record Type

Type: Character

Description: The donor relationship related customer's record type will exist if the donation order bill-to customer has any relationship.

Select equivalent: Cus\_Relationship\_All\_Relation\_Info\_VW.Related\_Customer\_Record\_Type

Where equivalent:

Qualification: dimension  
 List of values: 29y, editable, manual refresh, not exportable

Security access level: 0  
 Can be used: in result, in condition, in sort  
 Object status: show

---

Object: **Related ID**  
 Type: Character  
 Description: The donor relationship related customer's master customer ID will exist if the donation order bill-to customer has any relationship.

Select equivalent: Cus\_Relationship\_All\_Relation\_Info\_VW.RELATED\_CUSTOMER\_CusMastSubID

Where equivalent:

Qualification: dimension  
 List of values: 2a0, editable, manual refresh, not exportable  
 Security access level: 0  
 Can be used: in result, in condition, in sort  
 Object status: show

---

Object: **Related Master ID**  
 Type: Character  
 Description: The donor relationship related customer's master customer ID will exist if the donation order bill-to customer has any relationship.

Select equivalent: Cus\_Relationship\_All\_Relation\_Info\_VW.RELATED\_MASTER\_CUSTOMER\_ID

Where equivalent:

Qualification: dimension  
 List of values: 2a1, editable, manual refresh, not exportable  
 Security access level: 0  
 Can be used: in result, in condition, in sort

---

Object status: show

---

Object: **Related Sub ID**  
 Type: Number  
 Description: The donor relationship related customer's sub customer ID will exist if the donation order bill-to customer has any relationship.

Select equivalent: Cus\_Relationship\_All\_Relation\_Info\_VW.RELATED\_SUB\_CUSTOMER\_ID

Where equivalent:

Qualification: dimension  
 List of values: 2a2, editable, manual refresh, not exportable  
 Security access level: 0  
 Can be used: in result, in condition, in sort  
 Object status: show

Class:	<b>Donor / Prospect Contact</b>
Description:	

Object: **Donor Full Name**  
 Type: Character  
 Description: The Donor's Full Name in a Contact Tracking record.

Select equivalent: CUSTOMER\_DONOR\_CONTACT.LABEL\_NAME

Where equivalent:

Qualification: dimension  
 List of values: 25d, editable, manual refresh, not exportable  
 Security access level: 0  
 Can be used: in result, in condition, in sort  
 Object status: show

---

Object: **Call Type Code**  
 Type: Character  
 Description: The Call Type Code in a customer's Contact Tracking record.

Select equivalent: CUS\_ACTIVITY\_CONTACT.CALL\_TYPE\_CODE

Where equivalent:

Qualification: dimension  
 List of values: 25e, editable, manual refresh, not exportable  
 Security access level: 0  
 Can be used: in result, in condition, in sort  
 Object status: show

---

Object: Activity Date  
 Type: Date  
 Description: The contact date in a customer's Contact Tracking record.

Select equivalent: CUS\_ACTIVITY\_CONTACT.ACTIVITY\_DATE

Where equivalent:

Qualification: dimension  
 List of values: 2b7, editable, manual refresh, not exportable  
 Security access level: 0  
 Can be used: in result, in condition, in sort  
 Object status: show

---

Object: Call Topic Code  
 Type: Character  
 Description: The Call Topic Code in a customer's Contact Tracking record.

Select equivalent: CUS\_ACTIVITY\_CONTACT.CALL\_TOPIC\_CODE

Where equivalent:

Qualification: dimension  
 List of values: 25f, editable, manual refresh, not exportable  
 Security access level: 0  
 Can be used: in result, in condition, in sort  
 Object status: show

---

Object: Call Subject  
 Type: Character  
 Description: The Call Subject in a customer's Contact Tracking record.

Select equivalent: CUS\_ACTIVITY\_CONTACT.CALL\_TOPIC\_SUBCODE

Where equivalent:

Qualification: dimension  
 List of values: 25g, editable, manual refresh, not exportable  
 Security access level: 0  
 Can be used: in result, in condition, in sort  
 Object status: show

---

Object: **Staff User ID**  
 Type: Character  
 Description: The staff Personify User ID in a customer's Contact Tracking record.

Select equivalent: CUS\_ACTIVITY\_CONTACT.STAFF\_USER\_ID  
 Where equivalent:

Qualification: dimension  
 List of values: 2ao, editable, manual refresh, not exportable  
 Security access level: 0  
 Can be used: in result, in condition, in sort  
 Object status: show

---

Object: **Person Contacted**  
 Type: Character  
 Description: The Person Contacted in a customer's Contact Tracking is the linked customer.

Select equivalent: CUS\_ACTIVITY\_CONTACT.PERSON\_CONTACTED

Where equivalent:

Qualification: dimension  
 List of values: 25h, editable, manual refresh, not exportable  
 Security access level: 0  
 Can be used: in result, in condition, in sort  
 Object status: show

---

Object: **Point of Contact Name**  
 Type: Character  
 Description: The label name of the linked customer contacted for this Contact Tracking record

rd.

Select equivalent: CUSTOMER\_CONTACT\_REFERENCE.LABEL\_NAME

Where equivalent:

Qualification: dimension  
 List of values: 25i, editable, manual refresh, not exportable  
 Security access level: 0  
 Can be used: in result, in condition, in sort  
 Object status: show

Object: Followup Date  
 Type: Date  
 Description: The follow-up date is the due date for a follow-up record in Contact Tracking.

Select equivalent: CUS\_ACTIVITY\_CONTACT.FOLLOWUP\_DATE

Where equivalent:

Qualification: dimension  
 List of values: 25j, editable, manual refresh, not exportable  
 Security access level: 0  
 Can be used: in result, in condition, in sort  
 Object status: show

Object: Followup Action Date  
 Type: Date  
 Description: The Follow-up Action Date is the date the record was updated

Select equivalent: CUS\_ACTIVITY\_CONTACT.FOLLOWUP\_ACTION\_DATE

Where equivalent:

Qualification: dimension  
 List of values: 25k, editable, manual refresh, not exportable  
 Security access level: 0  
 Can be used: in result, in condition, in sort  
 Object status: show

Object: Resolved Date

---

Type: Date  
 Description: The Resolved Date is the date the contact activity ended.

Select equivalent: CUS\_ACTIVITY\_CONTACT.RESOLVED\_DATE  
 Where equivalent:

Qualification: dimension  
 List of values: 2b8, editable, manual refresh, not exportable  
 Security access level: 0  
 Can be used: in result, in condition, in sort  
 Object status: show

---

Object: **Key Code**  
 Type: Character  
 Description: The Key Code is code from List managagment that is entered on the Contact Tracking record.

Select equivalent: CUS\_ACTIVITY\_CONTACT.KEY\_CODE  
 Where equivalent:

Qualification: dimension  
 List of values: 25l, editable, manual refresh, not exportable  
 Security access level: 0  
 Can be used: in result, in condition, in sort  
 Object status: show

---

Object: **Market Code**  
 Type: Character  
 Description: The Market Code is code from List Managagment that is entered on the Contact Tracking record.

Select equivalent: CUS\_ACTIVITY\_CONTACT.MARKET\_CODE  
 Where equivalent:

Qualification: dimension  
 List of values: 25m, editable, manual refresh, not exportable  
 Security access level: 0  
 Can be used: in result, in condition, in sort  
 Object status: show

---

---

**Object:** List Code  
**Type:** Character  
**Description:** The List Code is code from List management that is entered on the Contact Tracking record to describe the List that the customer responded from.

**Select equivalent:** CUS\_ACTIVITY\_CONTACT.LIST\_CODE

**Where equivalent:**

**Qualification:** dimension  
**List of values:** 25n, editable, manual refresh, not exportable  
**Security access level:** 0  
**Can be used:** in result, in condition, in sort  
**Object status:** show

---

**Object:** Point of Contact ID  
**Type:** Character  
**Description:** The master customer number for the point of contact in the Contact Tracking record.

**Select equivalent:**

```

CASE WHEN CUS_ACTIVITY_CONTACT.REFERENCE_SUB_CUST = 0 THEN CUS_ACTIVITY_CONTACT.REFERENCE_MASTER_CUST ELSE CUS_ACTIVITY_CONTACT.REFERENCE_MASTER_CUST + '-' + CONVERT(VARCHAR, CUS_ACTIVITY_CONTACT.REFERENCE_SUB_CUST)
END

```

**Where equivalent:**

**Qualification:** dimension  
**List of values:** 25o, editable, manual refresh, not exportable  
**Security access level:** 0  
**Can be used:** in result, in condition, in sort

---



Object status: show

---

Object: Point of Contact Master ID

Type: Character

Description: The master customer number for the point of contact in the Contact Tracking record.

Select equivalent: CUS\_ACTIVITY\_CONTACT.REFERENCE\_MAST\_CUST

Where equivalent:

Qualification: dimension

List of values: 25p, editable, manual refresh, not exportable

Security access level: 0

Can be used: in result, in condition, in sort

Object status: show

---

Object: Point of Contact Sub ID

Type: Number

Description: The sub customer number for the point of contact in the Contact Tracking record.

Select equivalent: CUS\_ACTIVITY\_CONTACT.REFERENCE\_SUB\_CUST

Where equivalent:

Qualification: dimension

List of values: 25q, editable, manual refresh, not exportable

Security access level: 0

Can be used: in result, in condition, in sort

Object status: show

---

Object: Is this Resolved?

Type: Character

Description: Flag to identify if this Contact Tracking record was completed by staff.

Select equivalent: CUS\_ACTIVITY\_CONTACT.RESOLVED\_FLAG

---

Where equivalent:

Qualification: dimension  
 List of values: 25r, editable, manual refresh, not exportable  
 Security access level: 0  
 Can be used: in result, in condition, in sort  
 Object status: show

Class:	Donor Proposals
Description:	

Object: Donor ID  
 Type: Character  
 Description: The Master Customer ID who has this giving proposal plan.

Select equivalent: `CASE WHEN FND_PROPOSAL.SUB_CUSTOMER_ID = 0 THEN FND_PROPOSAL.MASTER_CUSTOMER_ID ELSE FND_PROPOSAL.MASTER_CUSTOMER_ID + '-' + CONVERT(VARCHAR, FND_PROPOSAL.SUB_CUSTOMER_ID) END`

Where equivalent:

Qualification: dimension  
 List of values: 2c2, editable, manual refresh, not exportable  
 Security access level: 0  
 Can be used: in result, in condition, in sort  
 Object status: show

---

Object: Donor Master ID  
 Type: Character  
 Description: The Master Customer ID who has this giving proposal plan.

Select equivalent: FND\_PROPOSAL.MASTER\_CUSTOMER\_ID

Where equivalent:

Qualification: dimension  
 List of values: 2c3, editable, manual refresh, not exportable  
 Security access level: 0  
 Can be used: in result, in condition, in sort

Object status: show

---

Object: Donor Sub ID  
 Type: Number  
 Description: The Sub Customer ID who has this giving proposal plan.

Select equivalent: FND\_PROPOSAL.SUB\_CUSTOMER\_ID

Where equivalent:

Qualification: dimension  
 List of values: 2c4, editable, manual refresh, not exportable  
 Security access level: 0  
 Can be used: in result, in condition, in sort  
 Object status: show

---

Object: Donor Full Name  
 Type: Character  
 Description: The label name of the customer who has this giving proposal plan.

Select equivalent: CUSTOMER\_FND\_PROPOSAL.LABEL\_NAME

Where equivalent:

Qualification: dimension  
 List of values: 2c6, editable, manual refresh, not exportable  
 Security access level: 0  
 Can be used: in result, in condition, in sort  
 Object status: show

---

Object: Proposal Description  
 Type: Character  
 Description: The text description this giving proposal plan maintained on screen Proposal Maintenance, FND200\_proposal.

Select equivalent: FND\_PROPOSAL.DESCRPTION

Where equivalent:

Qualification: dimension

---

List of values: 2c7, editable, manual refresh, not exportable  
 Security access level: 0  
 Can be used: in result, in condition, in sort  
 Object status: show

---

Object: **Proposal Status Code**  
 Type: Character  
 Description: The current status of a Proposal can be Accepted, Pending or Rejected.

Select equivalent: FND\_PROPOSAL.PROPOSAL\_STATUS\_CODE

Where equivalent:

Qualification: dimension  
 List of values: 2c8, editable, manual refresh, not exportable  
 Security access level: 0  
 Can be used: in result, in condition, in sort  
 Object status: show

---

Object: **Campaign**  
 Type: Character  
 Description: The Campaign associated with this giving proposal.

Select equivalent: FND\_PROPOSAL.CAMPAIGN

Where equivalent:

Qualification: dimension  
 List of values: 2c9, editable, manual refresh, not exportable  
 Security access level: 0  
 Can be used: in result, in condition, in sort  
 Object status: show

---

Object: **Fund**  
 Type: Character  
 Description: The Fund associated with this giving proposal.

Select equivalent: FND\_PROPOSAL.FUND

Where equivalent:

---

Qualification: dimension  
List of values: 2ca, editable, manual refresh, not exportable  
Security access level: 0  
Can be used: in result, in condition, in sort  
Object status: show

---

Object: **Appeal**  
Type: Character  
Description: The Appeal associated with this giving proposal.

Select equivalent: FND\_PROPOSAL.APPEAL

Where equivalent:

Qualification: dimension  
List of values: 2cb, editable, manual refresh, not exportable  
Security access level: 0  
Can be used: in result, in condition, in sort  
Object status: show

---

Object: **Deadline Date**  
Type: Date  
Description: The Due Date with this giving proposal.

Select equivalent: FND\_PROPOSAL.DEADLINE\_DATE

Where equivalent:

Qualification: dimension  
List of values: 2cc, editable, manual refresh, not exportable  
Security access level: 0  
Can be used: in result, in condition, in sort  
Object status: show

---

Object: **Submission Date**  
Type: Date  
Description: The Original Date the proposal was entered.

Select equivalent: FND\_PROPOSAL.SUBMISSION\_DATE

Where equivalent:

Qualification: dimension

---

---

List of values: 2cd, editable, manual refresh, not exportable  
Security access level: 0  
Can be used: in result, in condition, in sort  
Object status: show

---

Object: **Review Date**  
Type: Date  
Description: The last date the proposal was reviewed.

Select equivalent: FND\_PROPOSAL.REVIEW\_DATE

Where equivalent:

Qualification: dimension  
List of values: 2ce, editable, manual refresh, not exportable  
Security access level: 0  
Can be used: in result, in condition, in sort  
Object status: show

---

Object: **Decision Date**  
Type: Date  
Description: The date the final status was recorded for this proposal.

Select equivalent: FND\_PROPOSAL.DECISION\_DATE

Where equivalent:

Qualification: dimension  
List of values: 2cf, editable, manual refresh, not exportable  
Security access level: 0  
Can be used: in result, in condition, in sort  
Object status: show

---

Object: **Requested Amount**  
Type: Number  
Description: The first amount suggested for this proposal.

Select equivalent: FND\_PROPOSAL.REQUESTED\_AMOUNT

Where equivalent:

Qualification: dimension  
List of values: 2cg, editable, manual refresh, not exportable

---

Security access level: 0  
 Can be used: in result, in condition, in sort  
 Object status: show

---

Object: **Expected Amount**  
 Type: Number  
 Description: The actual amount suggested for this proposal.

Select equivalent: FND\_PROPOSAL.EXPECTED\_AMOUNT

Where equivalent:

Qualification: dimension  
 List of values: 2ch, editable, manual refresh, not exportable  
 Security access level: 0  
 Can be used: in result, in condition, in sort  
 Object status: show

---

Object: **Contact Person**  
 Type: Character  
 Description: Free text name of the person contacted for this proposal as different from the donor.

Select equivalent: FND\_PROPOSAL.CONTACT\_PERSON

Where equivalent:

Qualification: dimension  
 List of values: 2ci, editable, manual refresh, not exportable  
 Security access level: 0  
 Can be used: in result, in condition, in sort  
 Object status: show

---

Object: **Contact Phone**  
 Type: Character  
 Description: The phone number of the person contacted for this proposal.

Select equivalent: FND\_PROPOSAL.CONTACT\_PHONE

Where equivalent:

Qualification: dimension  
 List of values: 2cj, editable, manual refresh, not exportable

---

Security access level: 0  
 Can be used: in result, in condition, in sort  
 Object status: show

Class:	Estimated Giving
Description:	

Object: Actual Amount Donated  
 Type: Number  
 Description: The Actual Amount Donated  
 for each donation selecte  
 d used in the FND700 proc  
 ess for giving projections  
 .

Select equivalent: FND700\_ESTIMATE.ACTUAL\_AMOUNT  
 Where equivalent:

Qualification: dimension  
 List of values: 263, editable, manual refresh, not exportable  
 Security access level: 0  
 Can be used: in result, in condition, in sort  
 Object status: show

---

Object: Actual Total Amount Donated  
 Type: Number  
 Description: The Actual Total Amount D  
 onated for this donor used  
 in the FND700 process for  
 giving projections.

Select equivalent: FND700\_ESTIMATE.ACTUAL\_TOTAL\_AMOUNT

Where equivalent:

Qualification: dimension  
 List of values: 264, editable, manual refresh, not exportable  
 Security access level: 0  
 Can be used: in result, in condition, in sort  
 Object status: show

---

Object: Campaign



Type: Character  
 Description: The Campaign for selected donations used in the FN D700 process for giving projections.

Select equivalent: FND700\_ESTIMATE.CAMPAIGN

Where equivalent:

Qualification: dimension  
 List of values: 265, editable, manual refresh, not exportable  
 Security access level: 0  
 Can be used: in result, in condition, in sort  
 Object status: show

---

Object: Fund  
 Type: Character  
 Description: The Fund for selected donations used in the FND700 process for giving projections.

Select equivalent: FND700\_ESTIMATE.FUND

Where equivalent:

Qualification: dimension  
 List of values: 266, editable, manual refresh, not exportable  
 Security access level: 0  
 Can be used: in result, in condition, in sort  
 Object status: show

---

Object: Appeal  
 Type: Character  
 Description: The Appeal for selected donations used in the FND700 process for giving projections.

Select equivalent: FND700\_ESTIMATE.APPEAL

Where equivalent:

Qualification: dimension  
 List of values: 267, editable, manual refresh, not exportable  
 Security access level: 0  
 Can be used: in result, in condition, in sort  
 Object status: show

---

Object: Donation Code  
 Type: Character  
 Description: The Appeal Code for the s  
 elected donation used in t  
 he FND700 process for givi  
 ng projections.

Select equivalent: FND700\_ESTIMATE.CAMPAIGN\_FUND\_APPEAL

Where equivalent:

Qualification: dimension  
 List of values: 268, editable, manual refresh, not exportable  
 Security access level: 0  
 Can be used: in result, in condition, in sort  
 Object status: show

---

Object: Donation Year  
 Type: Character  
 Description: The Year used in the FND700 process for giving projections.

Select equivalent: FND700\_ESTIMATE.YEAR\_OF\_TXN

Where equivalent:

Qualification: dimension  
 List of values: 269, editable, manual refresh, not exportable  
 Security access level: 0  
 Can be used: in result, in condition, in sort  
 Object status: show

---

Object: Donation Percent Up  
 Type: Number  
 Description: The Percent increase para  
 meter used in the FND700  
 process for giving project

ions.

Select equivalent: FND700\_ESTIMATE.PERCENT\_UP

Where equivalent:

Qualification: dimension  
 List of values: 26a, editable, manual refresh, not exportable  
 Security access level: 0  
 Can be used: in result, in condition, in sort  
 Object status: show

Object: Donation Percent Down  
 Type: Number  
 Description: The percent reduction applied to a donors past contributions used in the FND700 process for giving projections.

Select equivalent: FND700\_ESTIMATE.PERCENT\_DOWN

Where equivalent:

Qualification: dimension  
 List of values: 26b, editable, manual refresh, not exportable  
 Security access level: 0  
 Can be used: in result, in condition, in sort  
 Object status: show

Object: Total Donation Estimate  
 Type: Number  
 Description: The computed Total Donation Estimate for the next year used in the FND700 process for giving projections.

Select equivalent: FND700\_ESTIMATE.TOTAL\_ESTIMATE

Where equivalent:

Qualification: dimension  
 List of values: 26c, editable, manual refresh, not exportable

Security access level: 0  
 Can be used: in result, in condition, in sort  
 Object status: show

---

Object: Currency of Donation  
 Type: Character  
 Description: The Currency of Donations  
 selected per donor used i  
 n the FND700 process for  
 giving projections.

Select equivalent: FND700\_ESTIMATE.CURRENCY\_CODE

Where equivalent:

Qualification: dimension  
 List of values: 26d, editable, manual refresh, not exportable  
 Security access level: 0  
 Can be used: in result, in condition, in sort  
 Object status: show

Class:	Planned Giving
Description:	

Object: Donor ID  
 Type: Character  
 Description: The master customer ID of the donor with a planned giving record.

Select equivalent: CASE WHEN FND\_PLANNED\_G  
 IVING.SUB\_CUSTOMER\_ID =  
 0 THEN FND\_PLANNED\_GIVIN  
 G.MASTER\_CUSTOMER\_ID ELS  
 E FND\_PLANNED\_GIVING.MAS  
 TER\_CUSTOMER\_ID + ' ' +  
 CONVERT(VARCHAR, FND\_PLA  
 NNED\_GIVING.SUB\_CUSTOME  
 R\_ID) END

Where equivalent:

Qualification: dimension  
 List of values: 2ck, editable, manual refresh, not exportable  
 Security access level: 0

Can be used: in result, in condition, in sort  
 Object status: show

---

Object: Donor Master ID  
 Type: Character  
 Description: The master customer ID of the donor with a planned giving record.

Select equivalent: FND\_PLANNED\_GIVING.MASTER\_CUSTOMER\_ID

Where equivalent:

Qualification: dimension  
 List of values: 2cl, editable, manual refresh, not exportable  
 Security access level: 0  
 Can be used: in result, in condition, in sort  
 Object status: show

---

Object: Donor Sub ID  
 Type: Number  
 Description: The sub customer ID of the donor with a planned giving record.

Select equivalent: FND\_PLANNED\_GIVING.SUB\_CUSTOMER\_ID

Where equivalent:

Qualification: dimension  
 List of values: 2cm, editable, manual refresh, not exportable  
 Security access level: 0  
 Can be used: in result, in condition, in sort  
 Object status: show

---

Object: Donor Full Name  
 Type: Character  
 Description: The label name of the donor with planned giving record.

Select equivalent: CUSTOMER\_FND\_PLANNED\_GIVING.LABEL\_NAME

Where equivalent:

Qualification: dimension  
 List of values: 2cn, editable, manual refresh, not exportable

---

Security access level: 0  
 Can be used: in result, in condition, in sort  
 Object status: show

---

Object: **Plan Type Code**  
 Type: Character  
 Description: The Plan Type Code is for a planned giving record. Values are Bequest, Charitable Gift Annuity, Charitable Lead Annuity Trust, Charitable Lead Unitrust, Charitable Remainder Annuity Trust, Charitable Remainder Unitrust, Life Estate Agreement, Pooled Income Fund.

Select equivalent: FND\_PLANNED\_GIVING.PLAN\_TYPE\_CODE

Where equivalent:

Qualification: dimension  
 List of values: 2cp, editable, manual refresh, not exportable  
 Security access level: 0  
 Can be used: in result, in condition, in sort  
 Object status: show

---

Object: **Plan Status Code**  
 Type: Character  
 Description: The Plan Status Code is changed during negotiations and can be Active, Pending or Rejected.

Select equivalent: FND\_PLANNED\_GIVING.PLAN\_STATUS\_CODE

Where equivalent:

Qualification: dimension  
 List of values: 2cq, editable, manual refresh, not exportable  
 Security access level: 0  
 Can be used: in result, in condition, in sort  
 Object status: show

---

---

**Object:** Plan Description  
**Type:** Character  
**Description:** The text Plan Description entered on screen FND210\_Planned\_Giving.

**Select equivalent:** FND\_PLANNED\_GIVING.DESCRPTION

**Where equivalent:**

**Qualification:** dimension  
**List of values:** 2cr, editable, manual refresh, not exportable  
**Security access level:** 0  
**Can be used:** in result, in condition, in sort  
**Object status:** show

---

**Object:** Principal Amount  
**Type:** Number  
**Description:** The face value of the plan.

**Select equivalent:** FND\_PLANNED\_GIVING.PRINCIPAL\_AMOUNT

**Where equivalent:**

**Qualification:** dimension  
**List of values:** 2cs, editable, manual refresh, not exportable  
**Security access level:** 0  
**Can be used:** in result, in condition, in sort  
**Object status:** show

---

**Object:** Cost Basis  
**Type:** Number  
**Description:** The Cost Basis is used in the annuity calculation.

**Select equivalent:** FND\_PLANNED\_GIVING.COST\_BASIS

**Where equivalent:**

**Qualification:** dimension  
**List of values:** 2ct, editable, manual refresh, not exportable  
**Security access level:** 0  
**Can be used:** in result, in condition, in sort

---

Object status: show

---

Object: **Interest Rate**  
 Type: Number  
 Description: The Interest Rate percent used to calculate the annuity.

Select equivalent: FND\_PLANNED\_GIVING.INTEREST\_RATE

Where equivalent:

Qualification: dimension  
 List of values: 2cu, editable, manual refresh, not exportable  
 Security access level: 0  
 Can be used: in result, in condition, in sort  
 Object status: show

---

Object: **Payout Rate**  
 Type: Number  
 Description: The percent of the principal to be paid out at the assigned frequency.

Select equivalent: FND\_PLANNED\_GIVING.PAYOUT\_RATE

Where equivalent:

Qualification: dimension  
 List of values: 2cv, editable, manual refresh, not exportable  
 Security access level: 0  
 Can be used: in result, in condition, in sort  
 Object status: show

---

Object: **Asset Type Code**  
 Type: Character  
 Description: The Asset Type Code is maintained in Type ASSET\_TYPE. It describes the category of asset valued in the plan such as Land, Vehicle.

Select equivalent: FND\_PLANNED\_GIVING.ASSET\_TYPE\_CODE

---



---

Where equivalent:

Qualification: dimension  
List of values: 2cw, editable, manual refresh, not exportable  
Security access level: 0  
Can be used: in result, in condition, in sort  
Object status: show

---

Object: Payout Frequency Code  
Type: Character  
Description: The time interval to pay out the annuity. Values are Monthly, Quaterly and Yearly.

Select equivalent: FND\_PLANNED\_GIVING.PAYOUT\_FREQUENCY\_CODE

Where equivalent:

Qualification: dimension  
List of values: 2cx, editable, manual refresh, not exportable  
Security access level: 0  
Can be used: in result, in condition, in sort  
Object status: show

---

Object: Terms in Years  
Type: Number  
Description: The Terms in Years that is calculated based on the payout.

Select equivalent: FND\_PLANNED\_GIVING.TERMS\_IN\_YEARS

Where equivalent:

Qualification: dimension  
List of values: 2cy, editable, manual refresh, not exportable  
Security access level: 0  
Can be used: in result, in condition, in sort  
Object status: show

---

Object: First Payment Date  
Type: Date  
Description: The date entered as first date to pay from the annuity.

---

Select equivalent: FND\_PLANNED\_GIVING.FIRST\_PAYMENT\_DATE

Where equivalent:

Qualification: dimension  
 List of values: 2d0, editable, manual refresh, not exportable  
 Security access level: 0  
 Can be used: in result, in condition, in sort  
 Object status: show

---

Object: **Transfer Date**  
 Type: Date  
 Description: The date entered in Planned Giving as the date the plan was transferred.

Select equivalent: FND\_PLANNED\_GIVING.TRANSFER\_DATE

Where equivalent:

Qualification: dimension  
 List of values: 2d1, editable, manual refresh, not exportable  
 Security access level: 0  
 Can be used: in result, in condition, in sort  
 Object status: show

---

Object: **Valuation Date**  
 Type: Date  
 Description: The date the asset was valued.

Select equivalent: FND\_PLANNED\_GIVING.VALUATION\_DATE

Where equivalent:

Qualification: dimension  
 List of values: 2d2, editable, manual refresh, not exportable  
 Security access level: 0  
 Can be used: in result, in condition, in sort  
 Object status: show

---

Object: **Trustee**  
 Type: Character  
 Description: Free text full name of a trustee.

---

Select equivalent: FND\_PLANNED\_GIVING.TRUSTEE

Where equivalent:

Qualification: dimension  
List of values: 2d3, editable, manual refresh, not exportable  
Security access level: 0  
Can be used: in result, in condition, in sort  
Object status: show

---

Object: **Staff Assigned**  
Type: Character  
Description: The Staff Assigned assigned to the plan from the User Security list.

Select equivalent: FND\_PLANNED\_GIVING.STAFF\_ASSIGNED

Where equivalent:

Qualification: dimension  
List of values: 2d4, editable, manual refresh, not exportable  
Security access level: 0  
Can be used: in result, in condition, in sort  
Object status: show

---

Object: **Beneficiary 1**  
Type: Character  
Description: NOT USED

Select equivalent: FND\_PLANNED\_GIVING.BENEFICIARY\_1

Where equivalent:

Qualification: dimension  
List of values: 2d5, editable, manual refresh, not exportable  
Security access level: 0  
Can be used: in result, in condition, in sort  
Object status: show

---

Object: **Beneficiary 2**  
Type: Character  
Description: NOT USED

---

Select equivalent: FND\_PLANNED\_GIVING.BENEFICIARY\_2

Where equivalent:

Qualification: dimension  
 List of values: 2d6, editable, manual refresh, not exportable  
 Security access level: 0  
 Can be used: in result, in condition, in sort  
 Object status: show

---

Object: Campaign  
 Type: Character  
 Description: The Campaign assigned to this plan for the campaigns goal.

Select equivalent: FND\_PLANNED\_GIVING.CAMPAIGN

Where equivalent:

Qualification: dimension  
 List of values: 2d7, editable, manual refresh, not exportable  
 Security access level: 0  
 Can be used: in result, in condition, in sort  
 Object status: show

---

Object: Fund  
 Type: Character  
 Description: The Fund assigned to this plan for the Fund's goal.

Select equivalent: FND\_PLANNED\_GIVING.FUND

Where equivalent:

Qualification: dimension  
 List of values: 2d8, editable, manual refresh, not exportable  
 Security access level: 0  
 Can be used: in result, in condition, in sort  
 Object status: show

---

Object: Appeal  
 Type: Character  
 Description: The Appeal assigned to this plan for the Appeal's goal.

Select equivalent: FND\_PLANNED\_GIVING.APPEAL

Where equivalent:

Qualification: dimension  
 List of values: 2d9, editable, manual refresh, not exportable  
 Security access level: 0  
 Can be used: in result, in condition, in sort  
 Object status: show

---

Object: Giving Status Code  
 Type: Character  
 Description: The donor's giving status on the Donor Central screen based on giving frequency.  
 Select equivalent: FND\_CUSTOMER.DONOR\_GIVING\_STATUS\_CODE  
 Where equivalent:

Qualification: dimension  
 List of values: 2ew, editable, manual refresh, not exportable  
 Security access level: 0  
 Can be used: in result, in condition, in sort  
 Object status: show

---

Object: Giving Status Description  
 Type: Character  
 Description: The description for the Giving Status Code. See fixed Type DONOR\_GIVING\_STATUS.  
 Select equivalent: APP\_CODE\_GIVING\_STATUS.DESCR  
 Where equivalent:

Qualification: dimension  
 List of values: 2fh, editable, manual refresh, not exportable  
 Security access level: 0  
 Can be used: in result, in condition, in sort  
 Object status: show

---

Object: Giving Class Code  
 Type: Character  
 Description: Identified the Donor Giving Class based on giving history. See fixed Type DONOR\_GIVING\_CLASS  
 Select equivalent: FND\_CUSTOMER.DONOR\_GIVING\_CLASS\_CODE

---

Where equivalent:

Qualification: dimension  
 List of values: 2ex, editable, manual refresh, not exportable  
 Security access level: 0  
 Can be used: in result, in condition, in sort  
 Object status: show

---

Object: Giving Class Description  
 Type: Character  
 Description: The Donor Giving Class Code text description.  
 Select equivalent: APP\_CODE\_GIVING\_CLASS.DESCR  
 Where equivalent:

Qualification: dimension  
 List of values: 2fg, editable, manual refresh, not exportable  
 Security access level: 0  
 Can be used: in result, in condition, in sort  
 Object status: show

Class:	Miscellaneous Comments
Description:	

Object: Comment Type Code  
 Type: Character  
 Description: The comment type that the comment was created by the user.  
 Select equivalent: CUS\_COMMENT.COMMENT\_TYPE\_CODE  
 Where equivalent:

Qualification: dimension  
 List of values: 2jl, editable, manual refresh, not exportable  
 Security access level: 0  
 Can be used: in result, in condition, in sort  
 Object status: show

---

Object: Comments  
 Type: Character  
 Description: The comment text created by the user.  
 Select equivalent: CUS\_COMMENT.COMMENTS  
 Where equivalent:

Qualification: dimension  
 List of values: 2jm, editable, manual refresh, not exportable

---

Security access level: 0  
Can be used: in result, in condition, in sort  
Object status: show

---

Object: Comment Creation Date  
Type: Date  
Description: The date the comment was created.  
Select equivalent: CUS\_COMMENT.ADDDATE  
Where equivalent:

Qualification: dimension  
List of values: 2jo, editable, manual refresh, not exportable  
Security access level: 0  
Can be used: in result, in condition, in sort  
Object status: show

---

Object: Comment Creation User  
Type: Character  
Description: The user that created the comment.  
Select equivalent: CUS\_COMMENT.ADDOPER  
Where equivalent:

Qualification: dimension  
List of values: 2jn, editable, manual refresh, not exportable  
Security access level: 0  
Can be used: in result, in condition, in sort  
Object status: show

---

Object: Comment Modification Date  
Type: Date  
Description: The date the comment was modified.  
Select equivalent: CUS\_COMMENT.MODDATE  
Where equivalent:

Qualification: dimension  
List of values: 2jq, editable, manual refresh, not exportable  
Security access level: 0  
Can be used: in result, in condition, in sort  
Object status: show

---

Object: Comment Modification User  
Type: Character

---

Description: The user that modified the comment.  
 Select equivalent: CUS\_COMMENT.MODOPER  
 Where equivalent:

Qualification: dimension  
 List of values: 2jp, editable, manual refresh, not exportable  
 Security access level: 0  
 Can be used: in result, in condition, in sort  
 Object status: show

Class:	Giving Analysis
Description:	

Object: First Gift Amount  
 Type: Number  
 Description: The First Gift Amount based on the lowest order number.

Select equivalent: CASE WHEN ORDER\_MBR\_FND  
 \_MTG\_CUS\_INFO\_VW.ORDER\_  
 NO =MIN(ORDER\_MBR\_FND\_M  
 TG\_CUS\_INFO\_VW.ORDER\_NO  
 ) THEN ORDER\_MBR\_FND\_MT  
 G\_CUS\_INFO\_VW.BASE\_TOTA  
 L\_AMOUNT ELSE 0 END

Where equivalent: ORDER\_MBR\_FND\_MTG\_CUS\_  
 INFO\_VW.ORDER\_STATUS\_CO  
 DE='A' AND ORDER\_MBR\_FND  
 \_MTG\_CUS\_INFO\_VW.LINE\_ST  
 ATUS\_CODE = 'A'

Qualification: measure  
 Aggregate function: Min  
 List of values: no  
 Security access level: 0  
 Can be used: in result, in condition, in sort  
 Object status: show  
 Format: Number  
 Category = Currency  
 \$#,##0.00

Object: First Gift Date  
 Type: Date  
 Description: The First Gift Date from the earliest order date.



---

Select equivalent: MIN(ORDER\_MBR\_FND\_MTG\_CUS\_INFO\_VW.ORDER\_DATE)  
 Where equivalent: ORDER\_MBR\_FND\_MTG\_CUS\_I  
 NFO\_VW.ORDER\_STATUS\_COD  
 E='A' AND ORDER\_MBR\_FND\_  
 MTG\_CUS\_INFO\_VW.LINE\_STA  
 TUS\_CODE = 'A'  
 Qualification: dimension  
 List of values: no  
 Security access level: 0  
 Can be used: in result, in condition, in sort  
 Object status: show

---

Object: **First Gift Type**  
 Type: Character  
 Description: The first donation order b  
 y order date where the lin  
 e status and order status  
 is Active to get the donat  
 ion product's product type  
 ; Cash, Pledge, Inkind ...  
 .

Select equivalent: ORDER\_MBR\_FND\_MTG\_CUS\_INFO\_VW.PRODUCT\_TYPE\_CODE  
 Where equivalent: ORDER\_MBR\_FND\_MTG\_CUS\_I  
 NFO\_VW.PRODUCT\_TYPE\_COD  
 E IN (SELECT TOP 1 ORDER  
 \_MBR\_FND\_MTG\_CUS\_INFO\_V  
 W.PRODUCT\_TYPE\_CODE FRO  
 M ORDER\_MBR\_FND\_MTG\_CUS  
 \_INFO\_VW WHERE ORDER\_MB  
 R\_FND\_MTG\_CUS\_INFO\_VW.O  
 RDER\_STATUS\_CODE='A' AND  
 ORDER\_MBR\_FND\_MTG\_CUS\_  
 INFO\_VW.LINE\_STATUS\_CODE  
 = 'A'

ORDER BY ORDER\_MBR\_F  
 ND\_MTG\_CUS\_INFO\_VW.ORDE  
 R\_DATE)  
 Qualification: dimension  
 List of values: 26g, editable, manual refresh, not exportable  
 Security access level: 0  
 Can be used: in result, in condition, in sort  
 Object status: show

---

---

Object: First Gift Donor  
 Type: Character  
 Description: The First Gift Donor in the system.

Select equivalent: ORDER\_MBR\_FND\_MTG\_CUS\_INFO\_VW.BILL\_LABEL\_NAME  
 Where equivalent: ORDER\_MBR\_FND\_MTG\_CUS\_I  
 NFO\_VW.BILL\_MASTER\_CUST  
 OMER\_ID IN (SELECT TOP 1  
 ORDER\_MBR\_FND\_MTG\_CUS\_  
 INFO\_VW.BILL\_MASTER\_CUST  
 OMER\_ID FROM ORDER\_MBR\_  
 FND\_MTG\_CUS\_INFO\_VW WHE  
 RE ORDER\_MBR\_FND\_MTG\_CU  
 S\_INFO\_VW.ORDER\_STATUS\_  
 CODE='A' AND ORDER\_MBR\_F  
 ND\_MTG\_CUS\_INFO\_VW.LINE  
 \_STATUS\_CODE = 'A'

ORDER BY  
 ORDER\_MBR\_FND\_MTG\_CUS\_  
 INFO\_VW.ORDER\_DATE)  
 Qualification: dimension  
 List of values: 26h, editable, manual refresh, not exportable  
 Security access level: 0  
 Can be used: in result, in condition, in sort  
 Object status: show

---

Object: Last Gift Amount  
 Type: Number  
 Description: The Last Gift Amount in the system.

Select equivalent: ORDER\_MBR\_FND\_MTG\_CUS\_INFO\_VW.BASE\_TOTAL\_AMOUNT  
 Where equivalent: ORDER\_MBR\_FND\_MTG\_CUS\_I  
 NFO\_VW.BASE\_TOTAL\_AMOUN  
 T IN ( SELECT TOP 9999 O  
 RDER\_MBR\_FND\_MTG\_CUS\_IN  
 FO\_VW.BASE\_TOTAL\_AMOUNT  
 FROM ORDER\_MBR\_FND\_MT  
 G\_CUS\_INFO\_VW WHERE OR  
 DER\_MBR\_FND\_MTG\_CUS\_INF  
 O\_VW.ORDER\_STATUS\_CODE=  
 'A' AND ORDER\_MBR\_FND\_MT  
 G\_CUS\_INFO\_VW.LINE\_STATU

---

S\_CODE = 'A'

ORDER BY ORDER  
\_MBR\_FND\_MTG\_CUS\_INFO\_V  
W.ORDER\_DATE)

Qualification: measure  
Aggregate function: Sum  
List of values: 26i, editable, manual refresh, not exportable  
Security access level: 0  
Can be used: in result, in condition, in sort  
Object status: show

---

Object: **Last Gift Date**  
Type: Date  
Description: The lastest donation date.

Select equivalent: Max(ORDER\_MBR\_FND\_MTG\_CUS\_INFO\_VW.ORDER\_DATE)  
Where equivalent: ORDER\_MBR\_FND\_MTG\_CUS\_I  
NFO\_VW.ORDER\_STATUS\_COD  
E='A' AND ORDER\_MBR\_FND\_  
MTG\_CUS\_INFO\_VW.LINE\_STA  
TUS\_CODE = 'A'

Qualification: dimension  
List of values: no  
Security access level: 0  
Can be used: in result, in condition, in sort  
Object status: show

---

Object: **Last Gift Type**  
Type: Character  
Description: The lastest donation Gift Type

Select equivalent: ORDER\_MBR\_FND\_MTG\_CUS\_INFO\_VW.PRODUCT\_TYPE\_CODE  
Where equivalent: ORDER\_MBR\_FND\_MTG\_CUS\_I  
NFO\_VW.PRODUCT\_TYPE\_COD  
E IN (SELECT TOP 12000 OR  
DER\_MBR\_FND\_MTG\_CUS\_INF  
O\_VW.PRODUCT\_TYPE\_CODE  
FROM ORDER\_MBR\_FND\_MTG\_  
CUS\_INFO\_VW WHERE ORDER  
\_MBR\_FND\_MTG\_CUS\_INFO\_V  
W.ORDER\_STATUS\_CODE='A'  
AND ORDER\_MBR\_FND\_MTG\_C  
US\_INFO\_VW.LINE\_STATUS\_C

---

---

ODE = 'A'

ORDER BY ORDER\_MB  
R\_FND\_MTG\_CUS\_INFO\_VW.O  
RDER\_DATE)

Qualification: dimension  
List of values: 26k, editable, manual refresh, not exportable  
Security access level: 0  
Can be used: in result, in condition, in sort  
Object status: show

---

Object: Last Gift Donor  
Type: Character  
Description: The latest donation donor.

Select equivalent: ORDER\_MBR\_FND\_MTG\_CUS\_INFO\_VW.BILL\_LABEL\_NAME  
Where equivalent: ORDER\_MBR\_FND\_MTG\_CUS\_I  
NFO\_VW.BILL\_MASTER\_CUST  
OMER\_ID IN (SELECT TOP 1  
2000 ORDER\_MBR\_FND\_MTG\_  
CUS\_INFO\_VW.BILL\_MASTER\_  
CUSTOMER\_ID FROM ORDER\_  
MBR\_FND\_MTG\_CUS\_INFO\_VW  
WHERE ORDER\_MBR\_FND\_MT  
G\_CUS\_INFO\_VW.ORDER\_STA  
TUS\_CODE='A' AND ORDER\_M  
BR\_FND\_MTG\_CUS\_INFO\_VW.  
LINE\_STATUS\_CODE = 'A'

ORDE  
R BY ORDER\_MBR\_FND\_MTG\_  
CUS\_INFO\_VW.ORDER\_DATE)

Qualification: dimension  
List of values: 26l, editable, manual refresh, not exportable  
Security access level: 0  
Can be used: in result, in condition, in sort  
Object status: show

---

Object: Largest Gift Amount  
Type: Number  
Description: The Largest Gift Amount in all Active order lines.

Select equivalent: isnull(max(ORDER\_MBR\_FND  
\_MTG\_CUS\_INFO\_VW.BASE\_T

---

---

Where equivalent: OTAL\_AMOUNT),0)  
ORDER\_MBR\_FND\_MTG\_CUS\_I  
NFO\_VW.ORDER\_STATUS\_COD  
E='A' AND ORDER\_MBR\_FND\_  
MTG\_CUS\_INFO\_VW.LINE\_STA  
TUS\_CODE = 'A'

Qualification: measure  
Aggregate function: Max  
List of values: no  
Security access level: 0  
Can be used: in result, in condition, in sort  
Object status: show  
Format Number  
Category = Currency  
\$#,##0.00

---

Object: Year To Date Amount  
Type: Number  
Description: The total Year To Date Am  
ount in the system for the  
current calendar year.

Select equivalent: isnull(sum(ORDER\_MBR\_FND  
\_MTG\_CUS\_INFO\_VW.BASE\_T  
OTAL\_AMOUNT),0)

Where equivalent: ORDER\_MBR\_FND\_MTG\_CUS\_I  
NFO\_VW.ORDER\_STATUS\_COD  
E='A' AND ORDER\_MBR\_FND\_  
MTG\_CUS\_INFO\_VW.LINE\_STA  
TUS\_CODE = 'A' AND year(O  
RDER\_MBR\_FND\_MTG\_CUS\_IN  
FO\_VW.ORDER\_DATE) = YEAR  
(GETDATE())

Qualification: measure  
Aggregate function: Sum  
List of values: no  
Security access level: 0  
Can be used: in result, in condition, in sort  
Object status: show  
Format Number  
Category = Currency  
\$#,##0.00

---

Object: Total to Date Amount

---

---

Type:	Number
Description:	The total To Date Amount in the system up to today.
Select equivalent:	isnull(sum(ORDER_MBR_FND _MTG_CUS_INFO_VW.BASE_T OTAL_AMOUNT),0)
Where equivalent:	ORDER_MBR_FND_MTG_CUS_I NFO_VW.ORDER_STATUS_COD E='A' AND ORDER_MBR_FND_ MTG_CUS_INFO_VW.LINE_STA TUS_CODE = 'A'
Qualification:	measure
Aggregate function:	Sum
List of values:	no
Security access level:	0
Can be used:	in result, in condition, in sort
Object status:	show
Format	Number Category = Currency \$#,##0.00

---

Object:	<b>Total Number of Gifts</b>
Type:	Number
Description:	The Total Number of Gifts in the system for Active I ines excluding Memo types .
Select equivalent:	COUNT(distinct ORDER_MB R_FND_MTG_CUS_INFO_VW.O RDER_NO)
Where equivalent:	ORDER_MBR_FND_MTG_CUS_I NFO_VW.ORDER_STATUS_COD E='A' AND ORDER_MBR_FND_ MTG_CUS_INFO_VW.LINE_STA TUS_CODE = 'A' AND ORDE R_MBR_FND_MTG_CUS_INFO_ VW.PRODUCT_TYPE_CODE <> 'MEMO'
Qualification:	measure
Aggregate function:	Sum
List of values:	no
Security access level:	0
Can be used:	in result, in condition, in sort
Object status:	show

---

---

Object:	<b>Total Orders</b>
Type:	Number
Description:	The Total Order line numbers in the system.
Select equivalent:	COUNT (distinct (ORDER_M BR_FND_MTG_CUS_INFO_VW. ORDER_LINE_NO) )
Where equivalent:	ORDER_MBR_FND_MTG_CUS_I NFO_VW.ORDER_STATUS_COD E = 'A' AND ORDER_MBR_FN D_MTG_CUS_INFO_VW.LINE_ STATUS_CODE = 'A'
Qualification:	measure
Aggregate function:	Sum
List of values:	no
Security access level:	0
Can be used:	in result, in condition, in sort
Object status:	show

---

Object:	<b>Tota Cash Donation Orders</b>
Type:	Number
Description:	The Tota Cash Donation Or ders in the system where PRODUCT_TYPE_CODE = 'CAS H'.
Select equivalent:	COUNT(distinct ORDER_MBR _FND_MTG_CUS_INFO_VW.OR DER_LINE_NO)
Where equivalent:	ORDER_MBR_FND_MTG_CUS_I NFO_VW.ORDER_STATUS_COD E = 'A' AND ORDER_MBR_FN D_MTG_CUS_INFO_VW.LINE_ STATUS_CODE = 'A' AND OR DER_MBR_FND_MTG_CUS_INF O_VW.PRODUCT_TYPE_CODE = 'CASH'
Qualification:	measure
Aggregate function:	Sum
List of values:	no
Security access level:	0
Can be used:	in result, in condition, in sort
Object status:	show

---

---

**Object:** Total Amount Committed  
**Type:** Number  
**Description:** This is the Total Amount of Active order lines including adjustments.

**Select equivalent:** isnull(SUM(FAR\_TXN\_COMMITTED.BASE\_AMOUNT),0)  
**Where equivalent:** FAR\_TXN\_COMMITTED.TXN\_T  
 YPE\_CODE IN ('4','6') AN  
 D ORDER\_MBR\_FND\_MTG\_CUS  
 \_INFO\_VW.ORDER\_STATUS\_C  
 ODE = 'A' AND ORDER\_MBR  
 \_FND\_MTG\_CUS\_INFO\_VW.LI  
 NE\_STATUS\_CODE = 'A'

**Qualification:** measure  
**Aggregate function:** Sum  
**List of values:** no  
**Security access level:** 0  
**Can be used:** in result, in condition, in sort  
**Object status:** show  
**Format** Number  
 Category = Currency  
 \$#,##0.00

---

**Object:** Total Amount Received  
**Type:** Number  
**Description:** The Total Amount Received  
 for all Active order lines  
 as a sum of receipts, ref  
 unds and transfers.

**Select equivalent:** (isnull(SUM(FAR\_TXN\_AMOUNT\_RECEIVED.BASE\_AMOUNT),0)\*-1)  
**Where equivalent:** FAR\_TXN\_AMOUNT\_RECEIVED  
 .TXN\_TYPE\_CODE IN ('1','2  
 ','3') AND ORDER\_MBR\_FN  
 D\_MTG\_CUS\_INFO\_VW.ORDER  
 \_STATUS\_CODE = 'A' AND  
 ORDER\_MBR\_FND\_MTG\_CUS\_I  
 NFO\_VW.LINE\_STATUS\_CODE  
 = 'A'

**Qualification:** measure  
**Aggregate function:** Sum  
**List of values:** no  
**Security access level:** 0  
**Can be used:** in result, in condition, in sort

---



Object status: show  
 Format Number  
 Category = Currency  
 \$#,##0.00

---

Object: Total Balance Due  
 Type: Number  
 Description: The Total Balance Due in the system of Active order lines for all transaction types.

Select equivalent:

Where equivalent:

```
isnull(SUM(FAR_TXN_BALANCE.BASE_AMOUNT),0)
FAR_TXN_BALANCE.TXN_TYPE
_CODE IN ('1','2','3','4','
6') AND ORDER_MBR_FND_M
TG_CUS_INFO_VW.ORDER_ST
ATUS_CODE = 'A' AND ORD
ER_MBR_FND_MTG_CUS_INFO
_VW.LINE_STATUS_CODE = '
A'
```

Qualification: measure  
 Aggregate function: Sum  
 List of values: no  
 Security access level: 0  
 Can be used: in result, in condition, in sort  
 Object status: show

---

Object: Total Writeoff  
 Type: Number  
 Description: The Total Writeoff transactions in the system for Active order lines.

Select equivalent:

Where equivalent:

```
isnull(SUM(FAR_TXN_WRITEOFF.BASE_AMOUNT),0)
FAR_TXN_WRITEOFF.TXN_TY
E_CODE IN ('5') and ORDER
_MBR_FND_MTG_CUS_INFO_V
W.ORDER_STATUS_CODE = 'A
' AND ORDER_MBR_FND_MTG
_CUS_INFO_VW.LINE_STATU
S_CODE = 'A'
```

Qualification: measure  
 Aggregate function: Sum  
 List of values: no

---

Security access level: 0  
 Can be used: in result, in condition, in sort  
 Object status: show

---

Object: Total Pledge Orders  
 Type: Number  
 Description: The Total Pledge and Matching Gift Orders in the system for Active order lines.

Select equivalent: COUNT(distinct ORDER\_MBR\_FND\_MTG\_CUS\_INFO\_VW.ORDER\_LINE\_NO)  
 Where equivalent: ORDER\_MBR\_FND\_MTG\_CUS\_INFO\_VW.ORDER\_STATUS\_CODE = 'A' AND ORDER\_MBR\_FND\_MTG\_CUS\_INFO\_VW.LINE\_STATUS\_CODE = 'A' AND ORDER\_MBR\_FND\_MTG\_CUS\_INFO\_VW.PRODUCT\_TYPE\_CODE IN ('PLEDGE','MATCHING\_GIFT')

Qualification: measure  
 Aggregate function: Sum  
 List of values: no  
 Security access level: 0  
 Can be used: in result, in condition, in sort  
 Object status: show

---

Object: Total Amount Pledged  
 Type: Number  
 Description: The Total Amountfor all pledges in system the for Active order lines.

Select equivalent: isnull(SUM(FAR\_TXN\_AMOUNT\_PLEDGED.BASE\_AMOUNT),0)  
 Where equivalent: FAR\_TXN\_AMOUNT\_PLEDGED.TXN\_TYPE\_CODE IN ('4','6') AND ORDER\_MBR\_FND\_MTG\_CUS\_INFO\_VW.ORDER\_STATUS\_CODE = 'A' AND ORDER\_MBR\_FND\_MTG\_CUS\_INFO\_VW.LINE\_STATUS\_CODE = 'A' AND ORDER\_MBR\_FND\_MTG\_

---

	CUS_INFO_VW.PRODUCT_TYP E_CODE IN ('PLEDGE')
Qualification:	measure
Aggregate function:	Sum
List of values:	no
Security access level:	0
Can be used:	in result, in condition, in sort
Object status:	show
Format	Number Category = Currency \$#,##0.00

---

Object:	Total Pledge Receipts
Type:	Number
Description:	The Total Sum of Pledge Receipts, Refunds and Transfers in the system.

Select equivalent:	isnull(SUM(FAR_TXN_PLEDGE_RECEIPTS.BASE_AMOUNT),0)
Where equivalent:	FAR_TXN_PLEDGE_RECEIPTS. TXN_TYPE_CODE IN ('1','2', '3') AND ORDER_MBR_FND _MTG_CUS_INFO_VW.ORDER_ STATUS_CODE = 'A' AND O RDER_MBR_FND_MTG_CUS_IN FO_VW.LINE_STATUS_CODE = 'A' and ORDER_MBR_FND_M TG_CUS_INFO_VW.PRODUCT_ TYPE_CODE = 'PLEDGE'

Qualification:	measure
Aggregate function:	Sum
List of values:	no
Security access level:	0
Can be used:	in result, in condition, in sort
Object status:	show

---

Object:	Total Pledge Writeoffs
Type:	Number
Description:	The Total Sum of all Pledge Writeoffs in the system for all Active order lines.

Select equivalent:	isnull(SUM(FAR_TXN_PLEDGE_WRITEOFF.BASE_AMOUNT),0)
--------------------	--

---

Where equivalent: FAR\_TXN\_PLEDGE\_WRITEOFF.  
 TXN\_TYPE\_CODE IN ('5') AND  
 ORDER\_MBR\_FND\_MTG\_CUS\_INFO\_VW.ORDER\_STATUS\_CODE = 'A' AND ORDER\_MBR\_FND\_MTG\_CUS\_INFO\_VW.LINE\_STATUS\_CODE = 'A' and  
 ORDER\_MBR\_FND\_MTG\_CUS\_INFO\_VW.PRODUCT\_TYPE\_CODE = 'PLEDGE'

Qualification: measure  
 Aggregate function: Sum  
 List of values: no  
 Security access level: 0  
 Can be used: in result, in condition, in sort  
 Object status: show

Object: **Total Pledge Balance**  
 Type: Number  
 Description: The Total Sum of all Pledge Balances in the system for Active order lines.

Select equivalent: isnull(SUM(FAR\_TXN\_PLEDGE\_BALANCE.BASE\_AMOUNT),0)  
 Where equivalent: FAR\_TXN\_PLEDGE\_BALANCE.TXN\_TYPE\_CODE IN ('1','2','3','4','6') AND ORDER\_MBR\_FND\_MTG\_CUS\_INFO\_VW.ORDER\_STATUS\_CODE = 'A' AND ORDER\_MBR\_FND\_MTG\_CUS\_INFO\_VW.LINE\_STATUS\_CODE = 'A' and ORDER\_MBR\_FND\_MTG\_CUS\_INFO\_VW.PRODUCT\_TYPE\_CODE = 'PLEDGE'

Qualification: measure  
 Aggregate function: Sum  
 List of values: no  
 Security access level: 0  
 Can be used: in result, in condition, in sort  
 Object status: show

Class: **Fund Raising Campaign Info**  
 Description:

---

Object: Campaign Code  
Type: Character  
Description: The code to represent a giving campaign.

Select equivalent: FND\_CAMPAIN.CAMPAIN

Where equivalent:

Qualification: dimension  
List of values: 273, editable, manual refresh, not exportable  
Security access level: 0  
Can be used: in result, in condition, in sort  
Object status: show

---

Object: Campaign Description  
Type: Character  
Description: The text description of the campaign code.

Select equivalent: FND\_CAMPAIN.DESCRPTION

Where equivalent:

Qualification: dimension  
List of values: 274, editable, manual refresh, not exportable  
Security access level: 0  
Can be used: in result, in condition, in sort  
Object status: show

---

Object: Campaign Class Code  
Type: Character  
Description: The Campaign Class Code assigned to a campaign from Type Campaign\_Class.

Select equivalent: FND\_CAMPAIN.CAMPAIN\_CLASS\_CODE

Where equivalent:

Qualification: dimension  
List of values: 275, editable, manual refresh, not exportable  
Security access level: 0  
Can be used: in result, in condition, in sort  
Object status: show

---

Object: Campaign Begin Date  
Type: Date  
Description: The date the Campaign begins.

Select equivalent: FND\_CAMPAIGN.BEGIN\_DATE

Where equivalent:

Qualification: dimension  
List of values: 276, editable, manual refresh, not exportable  
Security access level: 0  
Can be used: in result, in condition, in sort  
Object status: show

---

Object: Campaign End Date  
Type: Date  
Description: The date the Campaign ends.

Select equivalent: FND\_CAMPAIGN.END\_DATE

Where equivalent:

Qualification: dimension  
List of values: 277, editable, manual refresh, not exportable  
Security access level: 0  
Can be used: in result, in condition, in sort  
Object status: show

---

Object: Campaign Goal Amount  
Type: Number  
Description: The Campaign goal amount entered on screen FND100\_Campaigns.

Select equivalent: FND\_CAMPAIGN.GOAL\_AMOUNT

Where equivalent:

Qualification: dimension  
List of values: 278, editable, manual refresh, not exportable  
Security access level: 0  
Can be used: in result, in condition, in sort  
Object status: show

---

**Object:** Campiagn Linked Recognition Structure  
**Type:** Character  
**Description:** The Recognition Structure linked to campaign.  
  
**Select equivalent:** FND\_CAMPAGN.RECOGNITION\_STRUCTURE  
  
**Where equivalent:**  
  
**Qualification:** dimension  
**List of values:** 279, editable, manual refresh, not exportable  
**Security access level:** 0  
**Can be used:** in result, in condition, in sort  
**Object status:** show

---

**Object:** Parent Campaign  
**Type:** Character  
**Description:** Link a Parent Campaign for roll-up reporting of several campaigns.  
  
**Select equivalent:** FND\_CAMPAGN.PARENT\_CAMPAGN  
  
**Where equivalent:**  
  
**Qualification:** dimension  
**List of values:** 27a, editable, manual refresh, not exportable  
**Security access level:** 0  
**Can be used:** in result, in condition, in sort  
**Object status:** show

---

**Object:** Organization ID  
**Type:** Character  
**Description:** The Organization ID of this campaign.  
  
**Select equivalent:** FND\_CAMPAGN.ORG\_ID  
  
**Where equivalent:**  
  
**Qualification:** dimension  
**List of values:** 27b, editable, manual refresh, not exportable  
**Security access level:** 0  
**Can be used:** in result, in condition, in sort  
**Object status:** show

---

Object: Organization Unit ID  
 Type: Character  
 Description: The Organization Unit ID of this campaign.

Select equivalent: FND\_CAMPAIN.ORG\_UNIT\_ID

Where equivalent:

Qualification: dimension  
 List of values: 27c, editable, manual refresh, not exportable  
 Security access level: 0  
 Can be used: in result, in condition, in sort  
 Object status: show

---

Object: Is Campaign Active?  
 Type: Character  
 Description: Flag to identify if the Campaign is Active

Select equivalent: FND\_CAMPAIN.ACTIVE\_FLAG

Where equivalent:

Qualification: dimension  
 List of values: 27d, editable, manual refresh, not exportable  
 Security access level: 0  
 Can be used: in result, in condition, in sort  
 Object status: show

---

Object: Is this Campaign Date Restricted?  
 Type: Character  
 Description: Flag to identify if the Campaign has an End Date.

Select equivalent: FND\_CAMPAIN.DATE\_RESTRICTED\_FLAG

Where equivalent:

Qualification: dimension  
 List of values: 27e, editable, manual refresh, not exportable  
 Security access level: 0  
 Can be used: in result, in condition, in sort  
 Object status: show

Class:	Fund Raising Appeals Info
Description:	



---

Object: Appeal  
Type: Character  
Description: The code to represent the Appeal.

Select equivalent: FND\_APPEAL.APPEAL

Where equivalent:

Qualification: dimension  
List of values: 27f, editable, manual refresh, not exportable  
Security access level: 0  
Can be used: in result, in condition, in sort  
Object status: show

---

Object: Appeal Description  
Type: Character  
Description: The description of the Appeal code.

Select equivalent: FND\_APPEAL.DESCRPTION

Where equivalent:

Qualification: dimension  
List of values: 27g, editable, manual refresh, not exportable  
Security access level: 0  
Can be used: in result, in condition, in sort  
Object status: show

---

Object: Appeal Class Code  
Type: Character  
Description: The category of the Appeal where the Type is APPEAL\_CLASS.

Select equivalent: FND\_APPEAL.APPEAL\_CLASS\_CODE

Where equivalent:

Qualification: dimension  
List of values: 27h, editable, manual refresh, not exportable  
Security access level: 0  
Can be used: in result, in condition, in sort  
Object status: show

---

Object: Appeal Begin Date  
 Type: Date  
 Description: The date the Appeal begins.

Select equivalent: FND\_APPEAL.BEGIN\_DATE

Where equivalent:

Qualification: dimension  
 List of values: 27i, editable, manual refresh, not exportable  
 Security access level: 0  
 Can be used: in result, in condition, in sort  
 Object status: show

---

Object: Appeal End Date  
 Type: Date  
 Description: The date the Appeal ends.

Select equivalent: FND\_APPEAL.END\_DATE

Where equivalent:

Qualification: dimension  
 List of values: 27j, editable, manual refresh, not exportable  
 Security access level: 0  
 Can be used: in result, in condition, in sort  
 Object status: show

---

Object: Appeal Goal Amount  
 Type: Number  
 Description: The Appeal Goal Amount assigned on screen FND120\_Appeals.

Select equivalent: FND\_APPEAL.GOAL\_AMOUNT

Where equivalent:

Qualification: dimension  
 List of values: 27k, editable, manual refresh, not exportable  
 Security access level: 0  
 Can be used: in result, in condition, in sort  
 Object status: show

---

---

**Object:** Appeal Suggested Amount  
**Type:** Number  
**Description:** The Appeal suggested amount sent to every appeal prospect.  
  
**Select equivalent:** FND\_APPEAL.SUGGESTED\_AMOUNT  
  
**Where equivalent:**  
  
**Qualification:** dimension  
**List of values:** 27l, editable, manual refresh, not exportable  
**Security access level:** 0  
**Can be used:** in result, in condition, in sort  
**Object status:** show

---

**Object:** Tribute Type Code  
**Type:** Character  
**Description:** The code to describe the honor type as In Honor of and In Memory of.  
  
**Select equivalent:** FND\_APPEAL.TRIBUTE\_TYPE\_CODE  
  
**Where equivalent:**  
  
**Qualification:** dimension  
**List of values:** 27m, editable, manual refresh, not exportable  
**Security access level:** 0  
**Can be used:** in result, in condition, in sort  
**Object status:** show

---

**Object:** In Tribute To Description  
**Type:** Character  
**Description:** The In Tribute to description of tribute code.  
  
**Select equivalent:** FND\_APPEAL.IN\_TRIBUTE\_TO\_DESCR  
  
**Where equivalent:**  
  
**Qualification:** dimension  
**List of values:** 27n, editable, manual refresh, not exportable  
**Security access level:** 0  
**Can be used:** in result, in condition, in sort  
**Object status:** show

---

---

Object: In Tribute to Full Name  
 Type: Character  
 Description: The In Tribute to label name from the linked customer.

Select equivalent: CUSTOMER\_APPEAL\_IN\_TRIBUTE.LABEL\_NAME

Where equivalent:

Qualification: dimension  
 List of values: 27o, editable, manual refresh, not exportable  
 Security access level: 0  
 Can be used: in result, in condition, in sort  
 Object status: show

---

Object: In Tribute to Primary Contact Full Name  
 Type: Character  
 Description: The In Tribute to Primary Contact label name from the linked customer contact .

Select equivalent: CUSTOMER\_APPEAL\_IN\_TRIBUTE\_PRIMARY\_CONTACT.LABEL\_NAME

Where equivalent:

Qualification: dimension  
 List of values: 27p, editable, manual refresh, not exportable  
 Security access level: 0  
 Can be used: in result, in condition, in sort  
 Object status: show

---

Object: In Tribute to ID  
 Type: Character  
 Description: The master customer ID of the linked tribute customer.

Select equivalent: CASE WHEN FND\_APPEAL.IN\_TRIBUTE\_TO\_SUB\_CUST = 0 THEN FND\_APPEAL.IN\_TRIBUTE\_TO\_MAST\_CUST ELSE FND\_APPEAL.IN\_TRIBUTE\_TO\_MAST\_CUST+ ' ' + CONVERT(VARCHAR, FND\_APPEAL.IN\_TR

---

## IBUTE\_TO\_SUB\_CUST) END

Where equivalent:

Qualification: dimension  
 List of values: 27q, editable, manual refresh, not exportable  
 Security access level: 0  
 Can be used: in result, in condition, in sort  
 Object status: show

Object: In Tribute to Master ID  
 Type: Character  
 Description: The master customer ID of the linked tribute customer.

Select equivalent: FND\_APPEAL.IN\_TRIBUTE\_TO\_MAST\_CUST

Where equivalent:

Qualification: dimension  
 List of values: 27r, editable, manual refresh, not exportable  
 Security access level: 0  
 Can be used: in result, in condition, in sort  
 Object status: show

Object: In Tribute to Sub ID  
 Type: Number  
 Description: The sub customer ID of the linked tribute customer.

Select equivalent: FND\_APPEAL.IN\_TRIBUTE\_TO\_SUB\_CUST

Where equivalent:

Qualification: dimension  
 List of values: 27s, editable, manual refresh, not exportable  
 Security access level: 0  
 Can be used: in result, in condition, in sort  
 Object status: show

Object: In Tribute to Primary Contact ID  
 Type: Character  
 Description: The master customer ID of the primary contact.

Select equivalent: CASE WHEN FND\_APPEAL.TRI

```

BUTE_PRIMARY_CONT_SUB_C
UST = 0 THEN FND_APEAL.
TRIBUTE_PRIMARY_CONT_MA
ST_CUST ELSE FND_APEAL.
TRIBUTE_PRIMARY_CONT_MA
ST_CUST+ ' ' + CONVERT(V
ARCHAR, FND_APEAL.TRIBU
TE_PRIMARY_CONT_SUB_CUS
T) END

```

Where equivalent:

Qualification: dimension  
List of values: 27t, editable, manual refresh, not exportable  
Security access level: 0  
Can be used: in result, in condition, in sort  
Object status: show

---

Object: In Tribute to Primary Contact Master ID  
Type: Character  
Description: The master customer ID of the primary contact.

Select equivalent: FND\_APEAL.TRIBUTE\_PRIMARY\_CONT\_MAST\_CUST

Where equivalent:

Qualification: dimension  
List of values: 27u, editable, manual refresh, not exportable  
Security access level: 0  
Can be used: in result, in condition, in sort  
Object status: show

---

Object: In Tribute to Primary Contact Sub ID  
Type: Number  
Description: The sub customer ID of the primary contact.

Select equivalent: FND\_APEAL.TRIBUTE\_PRIMARY\_CONT\_SUB\_CUST

Where equivalent:

Qualification: dimension  
List of values: 27v, editable, manual refresh, not exportable  
Security access level: 0  
Can be used: in result, in condition, in sort

Object status: show

---

Object: Is this Appeal Active?  
 Type: Character  
 Description: Flag to identify if the Appeal is Active, Y/N.

Select equivalent: FND\_APPEAL.ACTIVE\_FLAG

Where equivalent:

Qualification: dimension  
 List of values: 27w, editable, manual refresh, not exportable  
 Security access level: 0  
 Can be used: in result, in condition, in sort  
 Object status: show

Class:	Fund Raising Fund Info
Description:	

Object: Fund  
 Type: Character  
 Description: The code to represent the fund.

Select equivalent: FND\_FUND.FUND

Where equivalent:

Qualification: dimension  
 List of values: 27x, editable, manual refresh, not exportable  
 Security access level: 0  
 Can be used: in result, in condition, in sort  
 Object status: show

---

Object: Fund Description  
 Type: Character  
 Description: The description of the fund code.

Select equivalent: FND\_FUND.DESCRPTION

Where equivalent:

Qualification: dimension  
 List of values: 27y, editable, manual refresh, not exportable

---

Security access level: 0  
 Can be used: in result, in condition, in sort  
 Object status: show

---

Object: **Fund Class Code**  
 Type: Character  
 Description: The category of the fund where the Type is FUND\_CLASS.

Select equivalent: FND\_FUND.FUND\_CLASS\_CODE

Where equivalent:

Qualification: dimension  
 List of values: 280, editable, manual refresh, not exportable  
 Security access level: 0  
 Can be used: in result, in condition, in sort  
 Object status: show

---

Object: **Fund Begin Date**  
 Type: Date  
 Description: The date the fund begins.

Select equivalent: FND\_FUND.BEGIN\_DATE

Where equivalent:

Qualification: dimension  
 List of values: 281, editable, manual refresh, not exportable  
 Security access level: 0  
 Can be used: in result, in condition, in sort  
 Object status: show

---

Object: **Fund End Date**  
 Type: Date  
 Description: The date the fund ends.

Select equivalent: FND\_FUND.END\_DATE

Where equivalent:

Qualification: dimension  
 List of values: 282, editable, manual refresh, not exportable  
 Security access level: 0

---



Can be used: in result, in condition, in sort  
 Object status: show

---

Object: **Fund Goal Amount**  
 Type: Number  
 Description: The Fund Goal Amount assigned on screen FND110\_Funds.

Select equivalent: FND\_FUND.GOAL\_AMOUNT

Where equivalent:

Qualification: dimension  
 List of values: 283, editable, manual refresh, not exportable  
 Security access level: 0  
 Can be used: in result, in condition, in sort  
 Object status: show

---

Object: **In Tribute To Description**  
 Type: Character  
 Description: The In Tribute to description of tribute code.

Select equivalent: FND\_FUND.IN\_TRIBUTE\_TO\_DESCR

Where equivalent:

Qualification: dimension  
 List of values: 284, editable, manual refresh, not exportable  
 Security access level: 0  
 Can be used: in result, in condition, in sort  
 Object status: show

---

Object: **Tribute Type Code**  
 Type: Character  
 Description: The code to describe the honor type as In Honor of a  
 nd In Memory of for the Fund.

Select equivalent: FND\_FUND.TRIBUTE\_TYPE\_CODE

Where equivalent:

Qualification: dimension

---

List of values: 285, editable, manual refresh, not exportable  
 Security access level: 0  
 Can be used: in result, in condition, in sort  
 Object status: show

---

Object: In Tribute to Full Name  
 Type: Character  
 Description: The In Tribute to label name from the linked customer.

Select equivalent: CUSTOMER\_FUND\_IN\_TRIBUTE.LABEL\_NAME

Where equivalent:

Qualification: dimension  
 List of values: 286, editable, manual refresh, not exportable  
 Security access level: 0  
 Can be used: in result, in condition, in sort  
 Object status: show

---

Object: In Tribute to Primary Contact Full Name  
 Type: Character  
 Description: The In Tribute to Primary  
 Contact label name from t  
 he linked customer contact  
 .

Select equivalent: CUSTOMER\_FUND\_IN\_TRIBUTE\_PRIMARY\_CONTACT.LABEL\_NAME

Where equivalent:

Qualification: dimension  
 List of values: 287, editable, manual refresh, not exportable  
 Security access level: 0  
 Can be used: in result, in condition, in sort  
 Object status: show

---

Object: In Tribute to Primary Contact ID  
 Type: Character  
 Description: The master customer ID of the primary contact.

Select equivalent: CASE WHEN FND\_FUND.TRIBU  
 TE\_PRIMARY\_CONT\_SUB\_CUS  
 T = 0 THEN FND\_FUND.TRIB

---

```

UTE_PRIMARY_CONT_MAST_C
UST ELSE FND_FUND.TRIBUT
E_PRIMARY_CONT_MAST_CUS
T+ ' ' + CONVERT(VARCHAR
, FND_FUND.TRIBUTE_PRIMA
RY_CONT_SUB_CUST) END

```

Where equivalent:

Qualification: dimension  
List of values: 288, editable, manual refresh, not exportable  
Security access level: 0  
Can be used: in result, in condition, in sort  
Object status: show

---

Object: In Tribute to Primary Contact Master ID  
Type: Character  
Description: The master customer ID of the primary contact.

Select equivalent: FND\_FUND.TRIBUTE\_PRIMARY\_CONT\_MAST\_CUST

Where equivalent:

Qualification: dimension  
List of values: 289, editable, manual refresh, not exportable  
Security access level: 0  
Can be used: in result, in condition, in sort  
Object status: show

---

Object: In Tribute to Primary Contact Sub ID  
Type: Number  
Description: This is the In Tribute to Primary Contact Sub ID

Select equivalent: FND\_FUND.TRIBUTE\_PRIMARY\_CONT\_SUB\_CUST

Where equivalent:

Qualification: dimension  
List of values: 28a, editable, manual refresh, not exportable  
Security access level: 0  
Can be used: in result, in condition, in sort  
Object status: show

---

Object: In Tribute ID  
 Type: Character  
 Description: The master customer ID of the linked tribute customer.

Select equivalent: CASE WHEN FND\_FUND.IN\_TR  
 IBUTE\_TO\_SUB\_CUST = 0 TH  
 EN FND\_FUND.IN\_TRIBUTE\_T  
 O\_MAST\_CUST ELSE FND\_FUN  
 D.IN\_TRIBUTE\_TO\_MAST\_CUS  
 T+ '-' + CONVERT(VARCHAR  
 , FND\_FUND.IN\_TRIBUTE\_TO  
 \_SUB\_CUST) END

Where equivalent:

Qualification: dimension  
 List of values: 28b, editable, manual refresh, not exportable  
 Security access level: 0  
 Can be used: in result, in condition, in sort  
 Object status: show

---

Object: In Tribute to Master ID  
 Type: Character  
 Description: The master customer ID of the linked tribute customer.

Select equivalent: FND\_FUND.IN\_TRIBUTE\_TO\_MAST\_CUST

Where equivalent:

Qualification: dimension  
 List of values: 28c, editable, manual refresh, not exportable  
 Security access level: 0  
 Can be used: in result, in condition, in sort  
 Object status: show

---

Object: In Tribute to Sub ID  
 Type: Number  
 Description: The sub customer ID of the linked tribute customer.

Select equivalent: FND\_FUND.IN\_TRIBUTE\_TO\_SUB\_CUST

Where equivalent:

Qualification: dimension

List of values: 28d, editable, manual refresh, not exportable  
 Security access level: 0  
 Can be used: in result, in condition, in sort  
 Object status: show

---

Object: Is the Fund Active?  
 Type: Character  
 Description: Flag to identify if the fund has an End Date.

Select equivalent: FND\_FUND.ACTIVE\_FLAG

Where equivalent:

Qualification: dimension  
 List of values: 28e, editable, manual refresh, not exportable  
 Security access level: 0  
 Can be used: in result, in condition, in sort  
 Object status: show

Class:	Conditions
Description:	

No objects

## Condition List

### Frequently Used

Donation Info

Pledge Information

Pledge Payment Schedule Information

Stock, Planned Giving, Other Donation

Information : Stock Gift

Restricted Gift Info

Matching Gift Info

Matching Gift that Matched This Donation

Solicitor and Solicitor Teams

In Tribute To Info

Marketing Info

Donation Soft Credit Recipient

Donation GL Account Info

Donor / Prospect (Constituent) Info

---

- Donor Matching Gift Info
- Donor Credits and Recognition
  - Donor Credits
  - Donor Recognition
- Donor Profile Demographics
- List Demographics
- Donor Name, Address and Communication
- Donor Demographics
- Donor Current Membership Info
- Donor Primary Employer Info
- Donor Corporate Relationship Info
- Donor All Relationships Info
- Donor / Prospect Contact
- Donor Proposals
- Estimated Giving
- Planned Giving
- Miscellaneous Comments
- Giving Analysis
- Fund Raising Campaign Info
- Fund Raising Appeals Info
- Fund Raising Fund Info
- Conditions
  - Last Week Donors
  - Last 12 Month Donations
  - Donation Date Range
  - Current Year Donations
  - Last Year Donations
  - Last 2 Fiscal Year Donations
  - Last 2 Year Donations
  - Current Month Donations
  - Last year Donations
  - Some Year Donations
  - YTD Donation
  - MTD Donation
  - By Campaign
  - By Fund
  - By Appeal
  - Current Campaign
  - Current Appeal
  - Current Fund
  - Current Gift Type
  - By Donor
  - By Donor Group

---

By Donation Product  
 Donations By List Code  
 Donations By Market Code  
 Donations By Key Code  
 By Solicitor Team  
 By Credit Type  
 Open Pledges  
 Closed Pledges  
 By Fundraising  
 By Meetings  
 By Membership  
 Active Alert Messages

## Conditions

Class:	Conditions
Description:	

### Last Week Donors

Description: Get the orders for last week given this weeks dates.

Where Equivalent: ORDER\_MBR\_FND\_MTG\_CUS\_INFO\_VW.ORDER\_DATE between getdate()-7 AND getdate()

### Last 12 Month Donations

Description: Get the orders beventween the system date and the fiscal year end month.

Where Equivalent: ORDER\_MBR\_FND\_MTG\_CU  
S\_INFO\_VW.ORDER\_DATE between getdate(  
) and FICAL\_YEAR\_ORGANIZATION.TWELVE\_  
MONTH\_PERIOD\_DATE

### Donation Date Range

Description: get the orders between the entered Begin and End date range.

Where Equivalent: ORDER\_MBR\_FND\_MTG\_CU  
S\_INFO\_VW.ORDER\_DATE between @Prompt  
( 'Enter Begin Date', 'D', , mono, free ) AND  
@Prompt( 'Enter End Date', 'D', , mono, fre  
e )

### Current Year Donations

Description: Get all orders in the current year.

Where Equivalent: year(ORDER\_MBR\_FND\_MTG\_CUS\_INFO\_VW.ORDER\_DATE)=year(getdate())

### Last Year Donations

Description: Get all the orders from last year.

Where Equivalent: year(ORDER\_MBR\_FND\_M

TG\_CUS\_INFO\_VW.ORDER\_DATE)>=year(getdate()-1 and year(ORDER\_MBR\_FND\_MTG\_CUS\_INFO\_VW.ORDER\_DATE)>=year(getdate()))

#### Last 2 Fiscal Year Donations

Description: Get all orders in the last two fiscal years using the organization FY end month.

Where Equivalent: year(ORDER\_MBR\_FND\_MTG\_CUS\_INFO\_VW.ORDER\_DATE)>=year(FISCAL\_YEAR\_END)-2

#### Last 2 Year Donations

Description: Get the last two year's orders using calendar years.

Where Equivalent: year(ORDER\_MBR\_FND\_MTG\_CUS\_INFO\_VW.ORDER\_DATE)>=year(getdate()-2 and year(ORDER\_MBR\_FND\_MTG\_CUS\_INFO\_VW.ORDER\_DATE)<=year(getdate()))

#### Current Month Donations

Description: Get all orders in the current month.

Where Equivalent: ORDER\_MBR\_FND\_MTG\_CUS\_INFO\_VW.ORDER\_DATE >= DATEADD(mm, DATEDIFF(mm,0, getdate()), 0)  
AND ORDER\_MBR\_FND\_MTG\_CUS\_INFO\_VW.ORDER\_DATE <= DATEADD(Month, 1, DATEADD(mm, DATEDIFF(mm,0, getdate()), 0))-1

#### Last year Donations

Description: Get last year's orders

Where Equivalent: year(ORDER\_MBR\_FND\_MTG\_CUS\_INFO\_VW.ORDER\_DATE) = year(getdate()-1)

#### Some Year Donations

Description: This takes into account the last two year's eliminating current year and the year before. ex if the current year is 2008, this will return donations made in 2005 and 2006

Where Equivalent: year(ORDER\_MBR\_FND\_MTG\_CUS\_INFO\_VW.ORDER\_DATE) <= year(getdate()-2)

#### YTD Donation

Description: All orders of the current year up to today.

Where Equivalent: year(ORDER\_MBR\_FND\_MTG\_CUS\_INFO\_VW.ORDER\_DATE) = YEAR(getdate())



#### MTD Donation

Description:All orders found in the current month.

Where Equivalent:month(ORDER\_MBR\_FND\_MTG\_CUS\_INFO\_VW.ORDER\_DATE)= month(getdate())

#### By Campaign

Description:Select orders from the selected campaign codes.

Where Equivalent:ORDER\_MBR\_FND\_MTG\_CU

S\_INFO\_VW.CAMPAIGN in @Prompt('Select

Campaign','A','Fund Raising Campaign In

fo\Campaign Code',multi,free)

#### By Fund

Description:Select orders from the selected fund codes.

Where Equivalent:ORDER\_MBR\_FND\_MTG\_CU

S\_INFO\_VW.FUND IN @Prompt('Select Fu

nd','A','Fund Raising Fund Info\Fund',m

ulti,free)

#### By Appeal

Description:Select orders from the selected appeal codes.

Where Equivalent:ORDER\_MBR\_FND\_MTG\_CU

S\_INFO\_VW.APPEAL IN @Prompt('Select Ap

peal','A','Fund Raising Appeals Info\Ap

peal',multi,free)

#### Current Campaign

Description:Get all orders where the campaign dates are open for today's date.

Where Equivalent:FND\_CAMPAIGN.END\_DATE > getdate() or FND\_CAMPAIGN.END\_DATE is null

#### Current Appeal

Description:Get all orders where the appeal dates are open for today's date.

Where Equivalent:FND\_APPEAL.END\_DATE > getdate() or FND\_APPEAL.END\_DATE is null

#### Current Fund

Description:Get all orders where the fund dates are open for today's date.

Where Equivalent:FND\_FUND.END\_DATE > getdate() or FND\_FUND.END\_DATE is null

#### Current Gift Type

Description:Get all fundraising products that are available to order today.

Where Equivalent:PRODUCT.AVAILABLE\_TO

\_ORDERS\_FLAG = 'Y' and PRODUCT.VALID\_

FLAG = 'Y' and PRODUCT.AVAILABLE\_DATE

< getdate() and (PRODUCT.EXPIRATION\_D

ATE > getdate() or PRODUCT.EXPIRATION\_

DATE is null)

#### By Donor

Description: Get the master customer ID for current donors.

Where Equivalent: FND\_CUSTOMER.MASTER\_CUSTOMER\_ID in @Prompt('Select Master Customer ID','A','Frequently Used\Donor Master ID',multi,free)

#### By Donor Group

Description: Get the Active donors by Donor Class codes.

Where Equivalent: ORDER\_MBR\_FND\_MTG\_CUS\_INFO\_VW.BILL\_CUSTOMER\_CLASS\_CODE in @Prompt('Donor Group','A','Frequently Used\Donor Class Code',multi,free)

#### By Donation Product

Description: Get the product codes in orders for the selected product codes.

Where Equivalent: ORDER\_MBR\_FND\_MTG\_CUS\_INFO\_VW.PRODUCT\_CODE in @Prompt('Donation Product','A','Frequently Used\Donation Gift Code',multi,free)

#### Donations By List Code

Description: Get the List codes from the selected codes used and found in Contact Tracking.

Where Equivalent: CUS\_ACTIVITY\_CONTACT.LIST\_CODE in @Prompt('List Code','A','Donor / Prospect Contact\List Code',multi,free)

#### Donations By Market Code

Description: Get the Market codes from the selected codes found in Contact Tracking.

Where Equivalent: CUS\_ACTIVITY\_CONTACT.MARKET\_CODE in @Prompt('Market Code','A','Donor / Prospect Contact\Market Code',multi,free)

#### Donations By Key Code

Description: Get the Key codes from the selected codes used and found in Contact Tracking.

Where Equivalent: CUS\_ACTIVITY\_CONTACT.KEY\_CODE in @Prompt('Key Code','A','Donor / Prospect Contact\Key Code',multi,free)

#### By Solicitor Team

Description: Get the list of solicitor teams assigned to customers.

Where Equivalent:FND\_CUSTOMER\_SOLICIT  
OR\_TEAM.TEAM IN @Prompt('Solicitor Tea  
m','A','Solicitor and Solicitor Teams\So  
licitor Team',multi,free)

#### By Credit Type

Description:Get FND\_CREDIT records by the selected Credit Type codes.  
Where Equivalent:FND\_CREDIT.CREDIT\_TY  
PE\_CODE IN @Prompt('Credit Type','A','D  
onor Credits\Credit Type Code',multi,fre  
e)

#### Open Pledges

Description:Get orders with an open pledge date greater than today.  
Where Equivalent:ORDER\_FND\_DETAIL.PLEDGE\_END\_DATE>getdate()

#### Closed Pledges

Description:Get orders with pledge date less than today.  
Where Equivalent:ORDER\_FND\_DETAIL.PLEDGE\_END\_DATE<getdate()

#### By Fundraising

Description:All orders in Fundraising.  
Where Equivalent:ORDER\_MBR\_FND\_MTG\_CUS\_INFO\_VW.SUBSYSTEM='FND'

#### By Meetings

Description:All order lines in Meetings.  
Where Equivalent:ORDER\_MBR\_FND\_MTG\_CUS\_INFO\_VW.SUBSYSTEM='MTG'

#### By Membership

Description:All order lines in Membership.  
Where Equivalent:ORDER\_MBR\_FND\_MTG\_CUS\_INFO\_VW.SUBSYSTEM='MBR'

#### Active Alert Messages

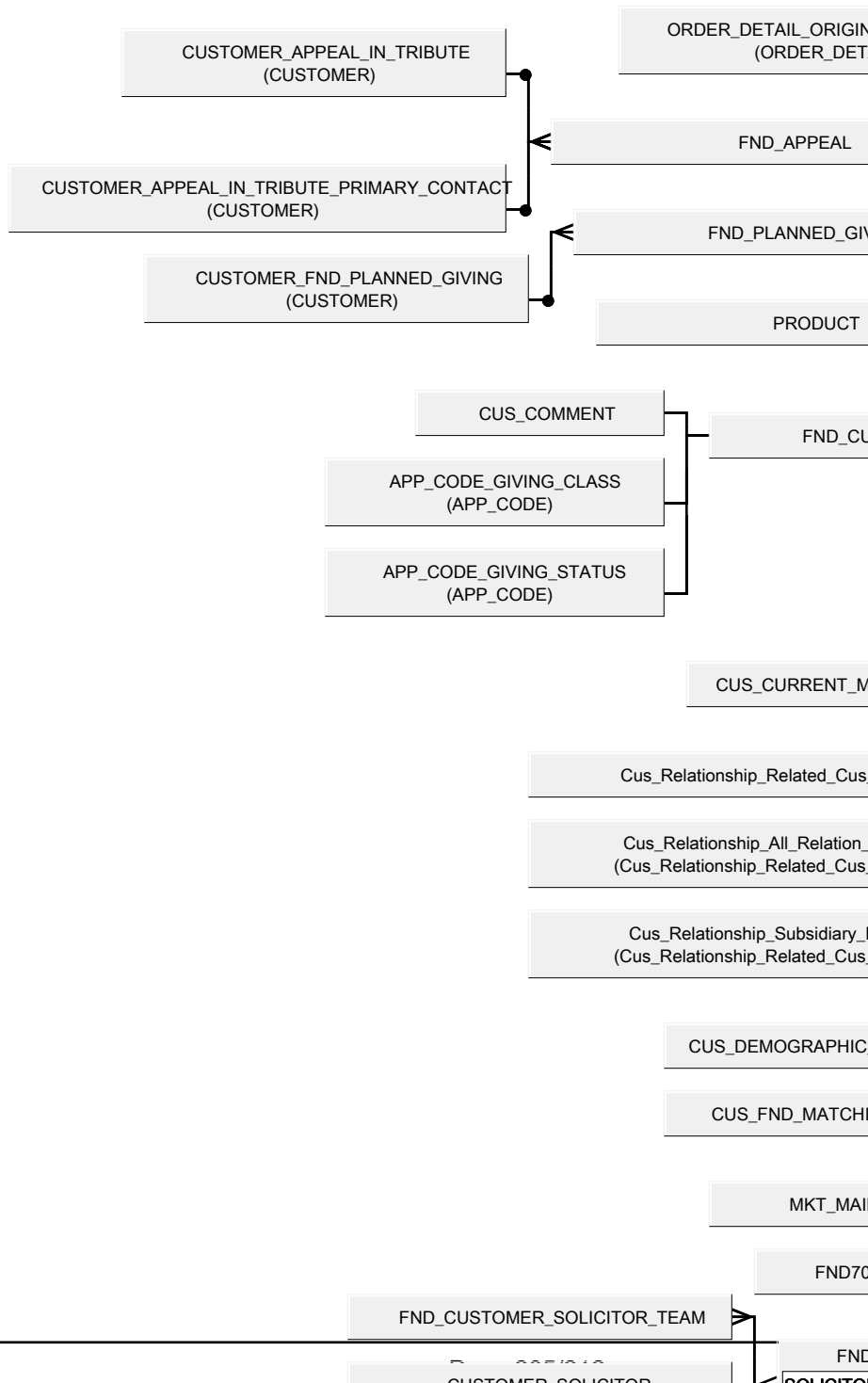
Description:Identifies the alert message  
s that are active. Adding this filter to  
the report only shows the active alert m  
essages.  
Where Equivalent:CUS\_ALERT.ACTIVE\_FLAG='Y'

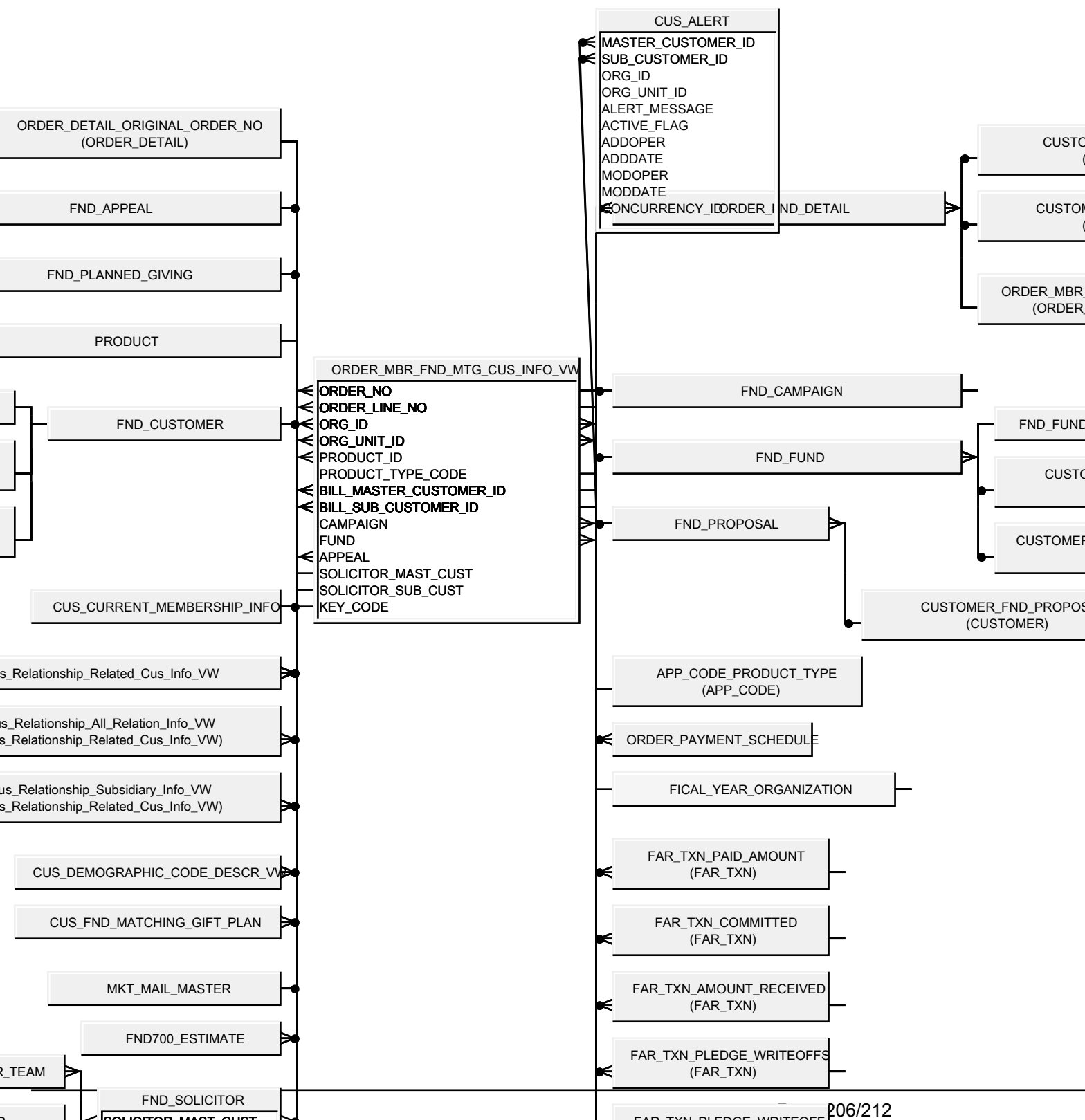
## Hierarchies List

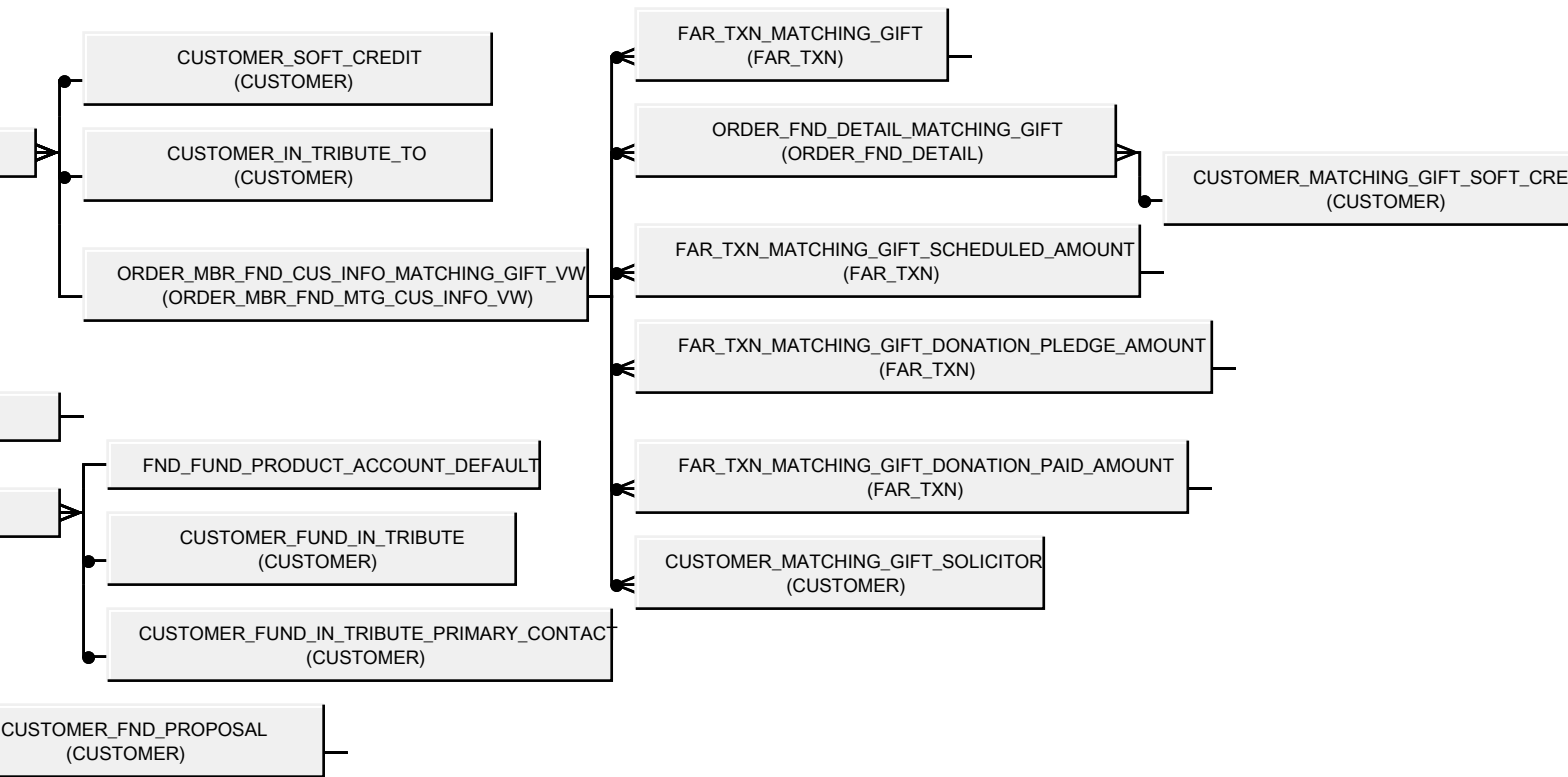
No Hierarchies

## Hierarchies

No Hierarchies

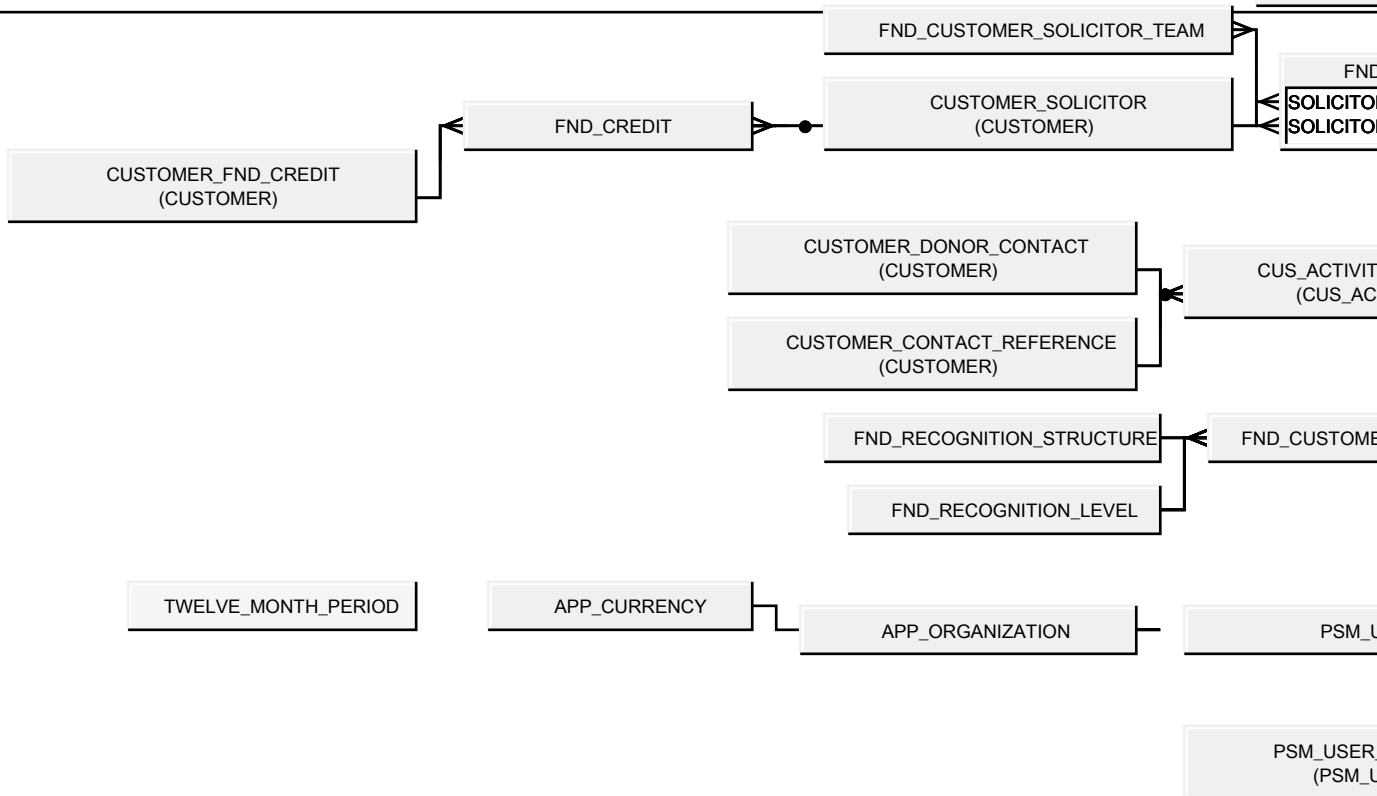




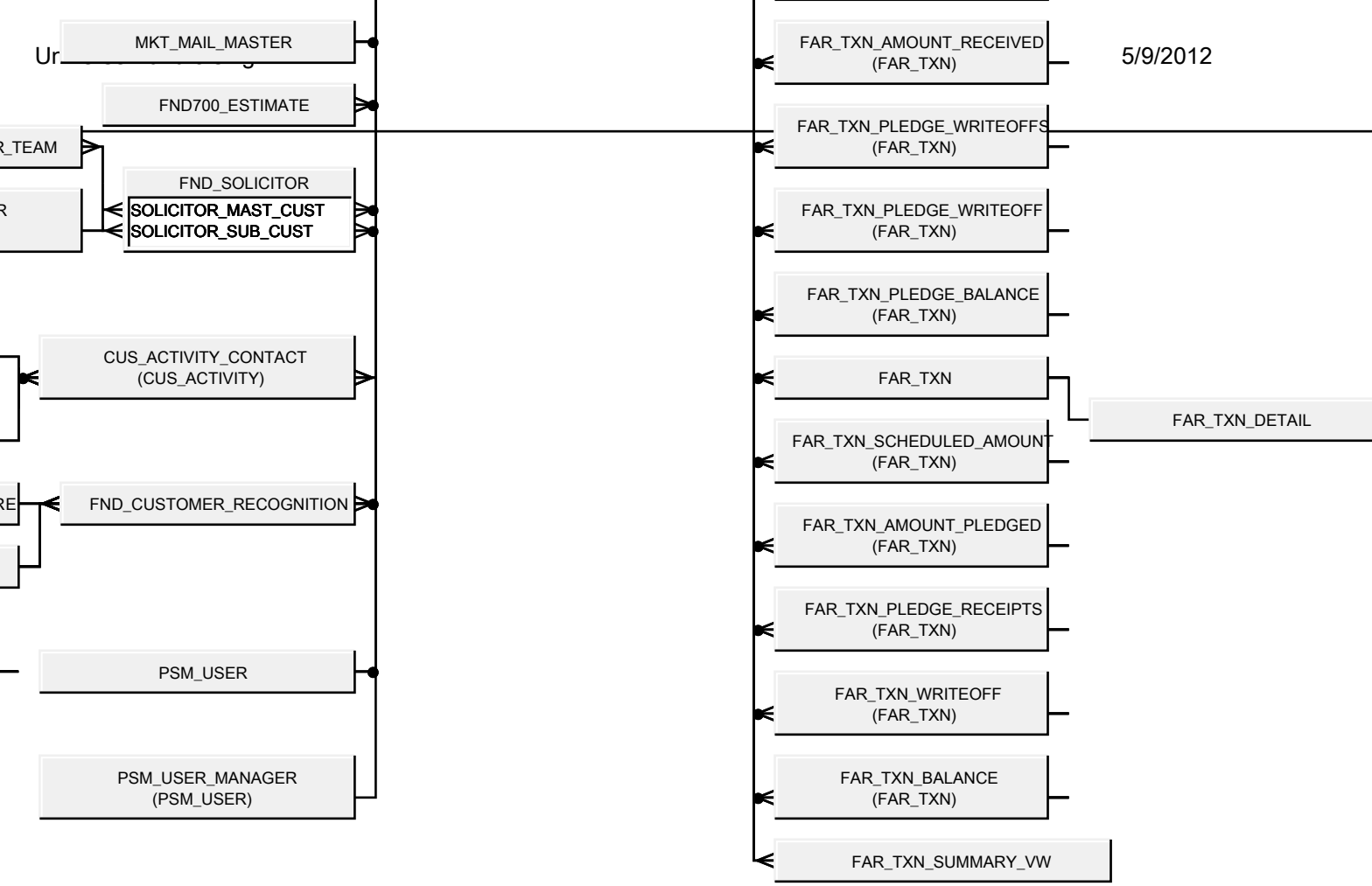


MATCHING\_GIFT\_SOFT\_CREDIT  
(CUSTOMER)





5/9/2012



ALIAS TABLES DONT REMOVE !!!!!

FAR\_TXN\_DETAIL

CUSTOMER

CUS\_ADDRESS\_DETAIL

CUS\_ADDRESS

CUS\_ACTIVITY

ORDER\_DETAIL

APP\_CODE

FND\_DONOR\_VW

ORDER\_MASTER

